

# WINDOW HANDLES





# Choosing Your Window Handle

## IDENTIFICATION



### Cocks spur Handle

This is the most basic type of window handle. The “nose” secures over a wedge on the frame to seal and secure the window.



### TBT Handle

A window handle designed specifically for tilt before turn (TBT) or turn-first (TNT) windows. It operates in 3 distinct modes: closed position, tilt position and turn position.



### Espag (short for espagnolette) Handle

A window handle that drives a spindle, also known as a pin (which is how we will refer to it throughout this catalogue), to operate an espagnolette or shootbolt locking system. These are the most common type of window handle currently fitted to PVCu windows.



### Inline Espag Handle

As it's name suggests, this type of handle design is straight or 'inline'. The advantage this handle gives you is that it fits both left-hand and right-handed windows.

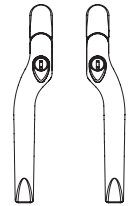


### Cranked or Offset Espag Handle

Levers are offset to either the left or right which means that they are handed. See illustrations below and right for how to hand cranked espag handles.



Top hung, viewed internally



Side hung, viewed internally



### Lock & Pushing Button (Non-Locking) Espag Handles

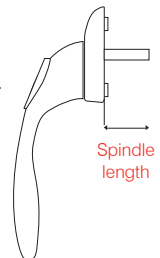
Standard espag handles are push-to-operate and key-to-deadlock. This means that you push the cylinder button to operate the handle and can lock it in the closed position for security. For use on emergency egress windows, or where security is not an issue, non-locking handles are also available.



### Spindle/Pin Lengths

The espag handle pin length will be dictated by the profile system fabricated. Consult your profile system manual for details of their recommended pin length.

To measure the pin length of an existing handle, measure from the base of the rose to the end of the pin, shown right. Pin lengths generally range from 9-55mm.



# Window Handle Selection Guide



## AT A GLANCE PRODUCT MATRIX

	Page	Application: TBT	Application: Cockspur	Application: Espag	Handle Style: Offset	Handle Style: Inline	Handle Type: Egress	Handle Type: Non-locking	Handle Type: Locking	Accreditation: Secured by Design	Guarantee: 5 Year Mechanical	Guarantee: 10 Year Mechanical	Guarantee: 5 Year Surface Finish	Guarantee: 10 Year Surface Finish	Guarantee: 25 Year Surface Finish	Finish: Black	Finish: White	Finish: Smooth Satin Chrome	Finish: Smokey Chrome	Finish: Polished Gold	Finish: Polished Chrome	
GRIP Trade	15		✓	✓	✓	✓		✓	✓	✓		✓			✓		✓					
ProLinea Inline	17		✓	✓	✓	✓		✓	✓	✓	✓	✓	✓	✓	✓	✓	✓	✓	✓	✓	✓	✓
ProLinea Curve	19			✓	✓			✓	✓	✓	✓		✓	✓		✓	✓	✓	✓	✓	✓	✓
ProStyle	21			✓	✓			✓	✓	✓	✓		✓	✓		✓	✓	✓	✓	✓	✓	✓
ProLinea TBT	23	✓						✓	✓	✓	✓		✓	✓		✓	✓	✓	✓	✓	✓	✓
ProLinea Smart Spindle	25			✓				✓	✓	✓	✓		✓	✓		✓	✓	✓	✓	✓	✓	✓
Repair & Maintenance	27	✓						✓	✓	✓		✓	✓	✓		✓	✓	✓	✓	✓	✓	✓



# Grip™ Espag Handle

100% recyclable



## PRODUCT INFORMATION

The Grip™ espag handle has been designed for trade and the construction industry

- 60% Less embodied carbon than a zinc window handle
- Meets latest building regulation requirements
- Manufactured from high-strength PolyComposite ABS
- Strength tested to over 60kg, stronger than a zinc handle
- Unique design of pin which provides strength
- Independently tested to 50,000 cycles
- The high-gloss finish & inherent UV stability is independently tested to automotive international standards
- Temperature resistant thermoplastic provides a warm-touch grip
- Never-rust material - 100% corrosion & chemical resistant, suitable for aggressive environments
- 100% Recyclable material & components
- Low carbon footprint - 60% less than our standard zinc espag handle
- The slide & clip screw cap is easy-to-fit & covers the whole of the rose ensuring it does not detach. Patent pending.
- Supplied with fixing screws
- Community registered design: 002453944
- Patented: GB248609613



Slide & clip cap covers the whole of the rose

GRIP™ has a carbon footprint which is 60% lower than our standard zinc espag handle

just 0.8kgCO<sub>2</sub>e per handle compared with 2.2kgCO<sub>2</sub>e

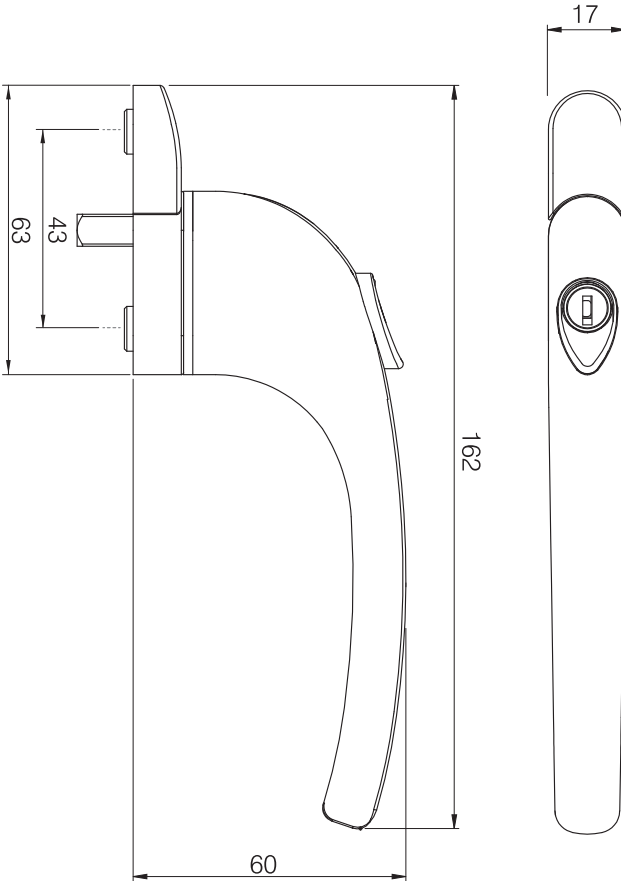
# Grip™ Espag Handle

100% recyclable

Window  
Handles



## TECHNICAL DRAWINGS



## GUARANTEES



## COMPLIANCE



## PART NUMBERS

Description	Finish	Pin Length (mm)	Part Number
Grip™ Espag Handle	White	15	563002
Grip™ Espag Handle	White	20	563003
Grip™ Espag Handle	White	30	563006
Grip™ Espag Handle	White	40	563007



# ProLinea Inline Espag Handle



## PRODUCT INFORMATION



Edge-to-edge  
screw cover cap.  
Design registered.

- Inline lever with finger grips for optimum comfort when in use
- Unique rose design features colour-matched edge-to-edge screw cover cap for enhanced aesthetics
- 90° stop, concealed within the rose, prevents espag gearbox over stressing
- Ergonomic button assembly for smooth, easy operation
- Manufactured from high performance zinc alloy
- Operational reliability - tested to 50,000 cycles at Mila Test Centre
- Corrosion resistant - salt spray tested to 240 hours (plated finishes) and 480 hours (powder coated finishes)
- Meets the enhanced security requirements of PAS24: 2016
- Suites with other Mila window and door furniture
- Community registered design: 001133300-002
- Suitable for PVCu, aluminium and timber applications



Key plugs easily transform locking handles into push button, green button or non-locking & minimise stock holding

## FINISHES



Polished Gold



Polished Chrome



Smokey Chrome



Smooth Satin Chrome



White

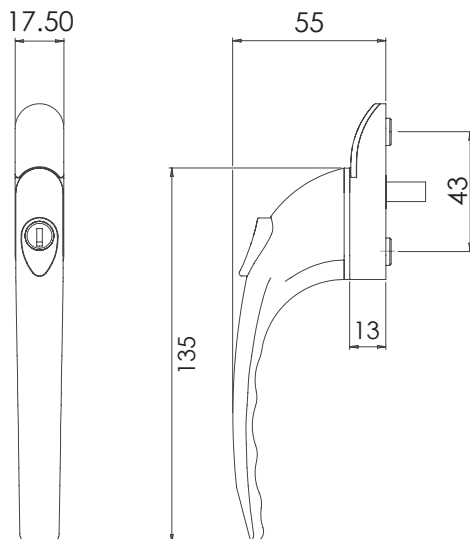


Black

# ProLinea Inline Espag Handle



## TECHNICAL DRAWINGS



## GUARANTEES



## PART NUMBERS

Description	Pin Length (mm)	Polished Gold	Polished Chrome	Smooth Satin Chrome	Smokey Chrome	White	Black
ProLinea Inline Espag Handle	9	581010	581020	581060	581030	581000	581050
ProLinea Inline Espag Handle	12	581011	581021	581061	581031	581001	581051
ProLinea Inline Espag Handle	15	581012	581022	581062	581032	581002	581052
ProLinea Inline Espag Handle	20	581013	581023	581063	581033	581003	581053
ProLinea Inline Espag Handle	25	581015	581025	581065	581035	581005	581055
ProLinea Inline Espag Handle	30	581016	581026	581066	581036	581006	581056
ProLinea Inline Espag Handle	40	581017	581027	581067	581037	581007	581057
ProLinea Inline Espag Handle	55	581018	581028	581068	-	581008	581058
Additional Cover Caps		581891	581892	581896	581893	581890	581895
<b>Accessories</b>	-	<b>Black</b>	<b>Green</b>				
Additional Key x 1	581899	-	-				
Key Plugs x 20		581881	581882				



# ProLinea Curve™ Espag Handle



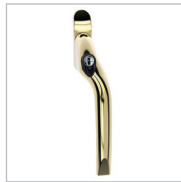
## PRODUCT INFORMATION



Key plugs easily transform locking handles into push button, green button or non-locking & minimise stock holding

- Gently sweeping lever inspired by subtle contours of modern profile systems
- Unique rose design features colour-matched edge-to-edge screw cover cap for enhanced aesthetics
- Left and right handed options
- Ergonomic button design for smooth, easy operation
- Manufactured from high performance zinc alloy (plated) or aluminium (white)
- Operational reliability - independently tested to 50,000 cycles at Mila Test Centre
- Corrosion resistant - salt spray tested to 240 hours (plated finishes) and 480 hours (powder coated finishes)
- Meets the enhanced security requirements of PAS24: 2016
- Suites with other Mila window and door furniture
- Suitable for PVCu, aluminium and timber applications
- Community registered design: 002604843-0001

## FINISHES



Polished Gold



Polished Chrome



Smokey Chrome



Smooth Satin Chrome



White



Black

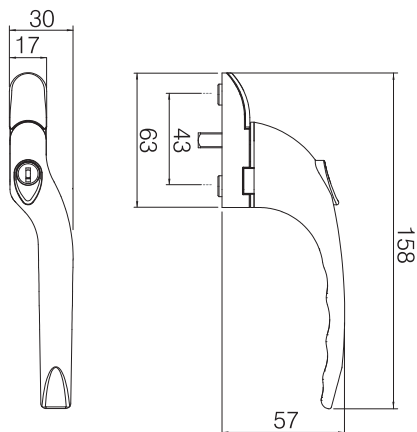


# ProLinea Curve™ Espag Handle

Window  
Handles



## TECHNICAL DRAWINGS



## GUARANTEES



## PART NUMBERS

Description	Pin Length (mm)	Hand	Polished Gold	Polished Chrome	Smooth Satin Chrome	Smokey Chrome	White	Black
ProLinea Curve Espag Handle	9	Right	561320*	561340	561420	561360	561300	561400
ProLinea Curve Espag Handle	9	Left	561321*	561341*	561421	561361	561301	561401
ProLinea Curve Espag Handle	12	Right	561322	561342	561422	561362*	561302	-
ProLinea Curve Espag Handle	12	Left	561323	561343	561423	561363*	561303	-
ProLinea Curve Espag Handle	15	Right	561324	561344	561424	561364	561304	561404*
ProLinea Curve Espag Handle	15	Left	561325	561345	561425	561365	561305	561405*
ProLinea Curve Espag Handle	20	Right	561326	561346	561426	561366*	561306	561406
ProLinea Curve Espag Handle	20	Left	561327	561347	561427	561367*	561307	561407
ProLinea Curve Espag Handle	25	Right	561330	561350*	561420	561370*	561310	-
ProLinea Curve Espag Handle	25	Left	561331	561351*	561431	561371*	561311	-
ProLinea Curve Espag Handle	30	Right	561332	561352	561432	561372	561312	561412
ProLinea Curve Espag Handle	30	Left	561333	561353	561433	561373	561313	561413
ProLinea Curve Espag Handle	40	Right	561334	561354	561434	561374	561314	561414
ProLinea Curve Espag Handle	40	Left	561335	561355	561435	561375	561315	561415
ProLinea Curve Espag Handle	55	Right	561336	561356	561436	561376	561316	561416*
ProLinea Curve Espag Handle	55	Left	561337	561357	561437	561377	561317	561417*
<b>Description</b>	-	<b>White</b>	<b>Black</b>	<b>Green</b>				
Additional Key x 1	581899	-	-	-				
Key Plugs x 20		581880	581881	581882				

\* special order



# ProStyle Espag Handle



## PRODUCT INFORMATION



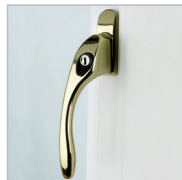
Edge-to-edge  
screw cover cap.  
Design registered.



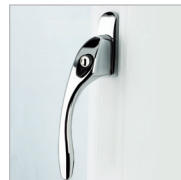
Key plugs  
easily transform  
locking handles  
into push button,  
green button or  
non-locking &  
minimise stock  
holding

- Ergonomic teardrop shaped off-set lever design for optimum comfort when in use
- Left and right handed options
- Unique rose design features colour-matched edge-to-edge screw cover cap for enhanced aesthetics
- 90° stop, concealed within the rose, prevents espag gearbox over stressing
- Ergonomic button assembly for smooth operation
- Colour-coded key plugs convert locking handles into push button and green button emergency exit versions
- Manufactured from high performance zinc alloy
- Operational reliability - independently tested to 50,000 cycles at Mila Test Centre
- Salt spray - tested to 240 hours (plated finishes) and 480 hours (powder coated finishes) at the Mila Test Centre
- Design registered - no. 001133300-002
- Suitable for PVCu, aluminium and timber applications

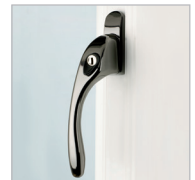
## FINISHES



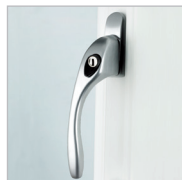
Polished Gold



Polished Chrome



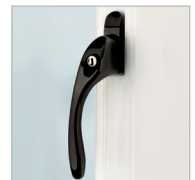
Smokey Chrome



Smooth Satin Chrome



White



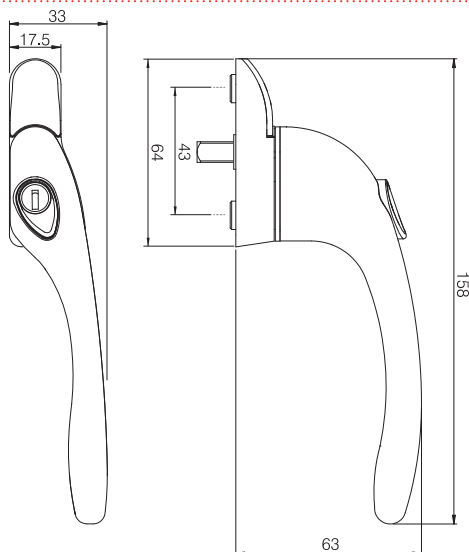
Black

# ProStyle Espag Handle

Window  
Handles



## TECHNICAL DRAWINGS



## GUARANTEES



Secured by Design



Police Preferred Specification

## PART NUMBERS

Description	Pin Length (mm)	Hand	Polished Gold	Polished Chrome	Smooth Satin Chrome	Smokey Chrome	White	Black
ProStyle Espag Handle	9	Right	582020	582040	582140	582060	582000	-
ProStyle Espag Handle	9	Left	582021	582041	582141	582061	582001	-
ProStyle Espag Handle	15	Right	582024	582044	582144	582064	582004	-
ProStyle Espag Handle	15	Left	582025	582045	582145	582065	582005	-
ProStyle Espag Handle	20	Right	-	582046	582146	582066	582006	-
ProStyle Espag Handle	20	Left	-	582047	582147	582067	582007	-
ProStyle Espag Handle	30	Right	582032	582052	582152	582072	582012	582112
ProStyle Espag Handle	30	Left	582033	582053	582153	582073	582013	582113
ProStyle Espag Handle	40	Right	582034	582054	582154	582074	582014	582114*
ProStyle Espag Handle	40	Left	582035	582055	582185	582075	582015	582115*
ProStyle Espag Handle	55	Right	-	582056*	-	582076*	582016	-
ProStyle Espag Handle	55	Left	-	582057*	-	582077*	582017	-

Description	-	White	Black	Green
Additional Key x 1	581898	-	-	-
Key Plugs x 20		581880	581881	581882

\* special order



# ProLinea TBT Handle



## PRODUCT INFORMATION

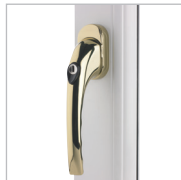


Also available in  
non-locking



- Available in 2 versions - locking & non-locking
- Unique rose design features colour-matched edge-to-edge screw cover cap for enhanced aesthetics
- Ergonomic design - finger grips on lever for comfortable use
- Key locking at 1/4 turn to prevent sash falling open
- Suits most common profile systems - 4 pin lengths available
- 1 handle, 2 usages - suitable for both TBT & TNT operation
- Intelligent design - 'T' embossed beneath cover cap denotes TBT operation, 'T' to top of handle, rotate 180° for TNT operation
- White handles feature matching locking white button
- Tested to BS 6375 parts 1 & 2, PAS24: 2016
- Police preferred specification - meets the requirements of Secured by Design
- Simple to fit - supplied with 2 screws, 1 key & 2 cover caps
- Suitable for PVCu, timber & aluminium windows
- Can be locked in tilt position to prevent accidental opening
- Community registered design: 1219331

## FINISHES



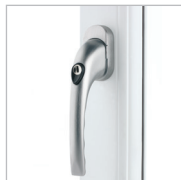
Polished Gold



Polished Chrome



Smokey Chrome



Smooth Satin Chrome



White



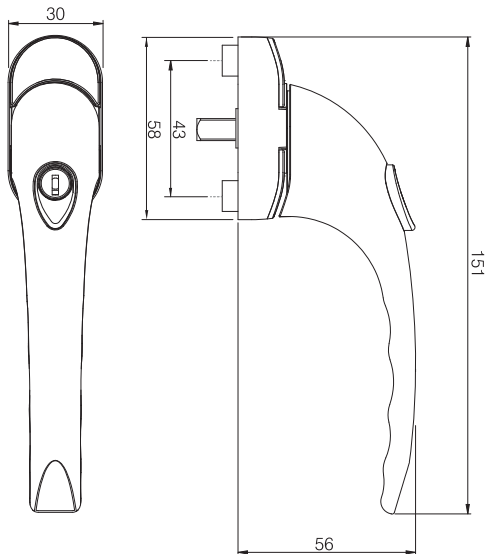
Black

# ProLinea TBT Handle

Window  
Handles



## TECHNICAL DRAWINGS



## HANDLE OPERATION



## GUARANTEES



Secured by Design



Police Preferred Specification

## PART NUMBERS

Description	Type	Pin Length (mm)	Polished Gold	Polished Chrome	Smooth Satin Chrome	Smokey Chrome	White	Black
ProLinea TBT Handle	Non-locking	30	585004	585001	585006	585005	585008	585007
ProLinea TBT Handle	Non-locking	38	585014	585011	585016	585015	585018	585017
ProLinea TBT Handle	Non-locking	43	585024	585021	585026	585025*	585028	585027*
ProLinea TBT Handle	Non-locking	55	585034*	585031*	585036	585035*	585038	585037*
ProLinea TBT Handle	Locking	30	585104	585101	585106	585105	585108	585107
ProLinea TBT Handle	Locking	38	585114	585111	585116	585115	585118	585117
ProLinea TBT Handle	Locking	43	585124	585121	585126	585125	585128	585127
ProLinea TBT Handle	Locking	55	585134*	585131*	585136	585135*	585138	585137*
Additional Cover Caps			585204	585201	585209	-	585208	585207
Additional Key			581899					

\* special order



# ProLinea Smart Spindle™

Espag Handle



## PRODUCT INFORMATION

The Smart Spindle espag handle is perfect for maximum choice of spindle lengths with minimum stock holding. Smart.



- Supplied with 5 interchangeable pin lengths from 9mm - 55mm
- Pins locate into the back of the handle rose with ease
- A clever one-way fit rosette ensures that only the correct end of the spindle can be inserted for a secure fit
- The rosette allows positive location with an audible 'click' when the lever is rotated through 90°
- Edge-to-edge screw cover cap enhances aesthetics on the rose for a contemporary look
- Finger-grips on the lever provide optimum comfort when the handle is in use
- Manufactured from high performance zinc alloy
- Operational reliability - tested to 50,000 cycles at Mila Test Centre
- Corrosion resistant - salt spray tested to 240 hours (plated finishes) and 480 hours (powder coated finishes)
- Meets the enhanced security requirements of PAS24: 2016
- An ergonomic button assembly is easy to operate
- Supplied complete with cut-off screws as standard
- Suitable for PVCu, aluminium and timber applications

## FINISHES



Polished Gold



Polished Chrome



Smokey Chrome



Smooth Satin Chrome



White



Black

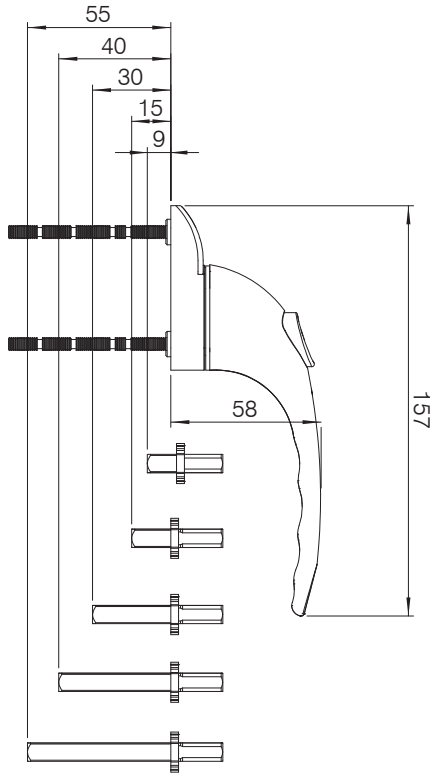
# ProLinea Smart Spindle™

Espag Handle

Window  
Handles



## TECHNICAL DRAWINGS



## GUARANTEES



## PART NUMBERS

Description	Polished Gold	Polished Chrome	Smooth Satin Chrome	Smokey Chrome	White	Black
Smart Spindle Espag Handle	581901	581902	581906	581903	581900	581905
Additional Cover Caps	581891	581892	581896	581893	581890	581895
Description	White	Black	Green			
Additional Key x 1	581899	-	-			
Key Plugs x 20	581880	581881	581882			



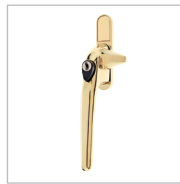
# Repair & Maintenance Cockspur Handle

## PRODUCT INFORMATION



- Offers basic window security
- Inline lever
- Spur secures into wedge on the frame to seal and secure the window
- A choice of 3 spur wedges enable the handle to be used on a range of rebate heights - 9mm, 13mm, 17mm and 21mm
- Locking for enhanced safety
- Two elongated slots which enable replacement of the majority of old cockspur handles supplied in the last 30 years
- Manufactured from zinc alloy
- Individually packed in plastic bags for easy stocking and supply
- Supplied complete with spur wedges, cover cap, 1 key and 2 fixing screws
- Suitable for PVCu, aluminium and timber applications

## FINISHES



Polished Gold



Polished Chrome



Satin Silver



White



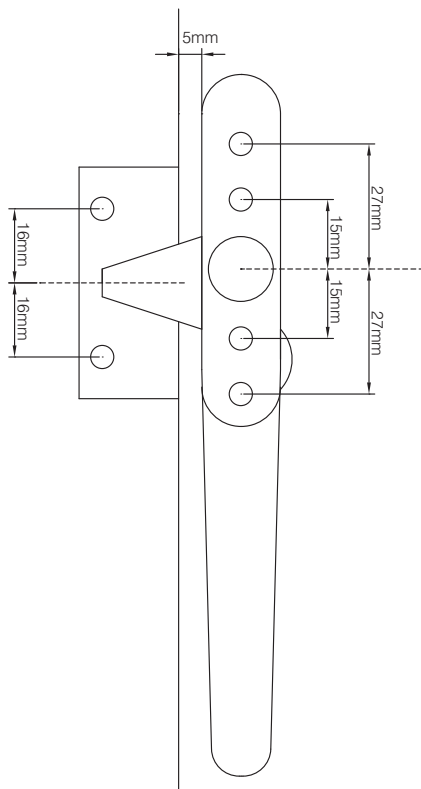
Black



# Repair & Maintenance Cockspur Handle



## TECHNICAL DRAWINGS



## GUARANTEES



## PART NUMBERS

Description	Hand	Polished Gold	Polished Chrome	Satin Silver	White	Black
RM Cockspur handle	Left	056174	056171	056172	056178	056177
RM Cockspur handle	Right	056164	056161	056162	056168	056167
<b>Casement Wedges</b>		<b>2mm</b>	<b>3mm</b>	<b>5mm</b>	<b>4.5mm</b>	<b>6mm</b>
White		055430	055432	055436	055481	055484
Black		055431	055433	055437	-	-