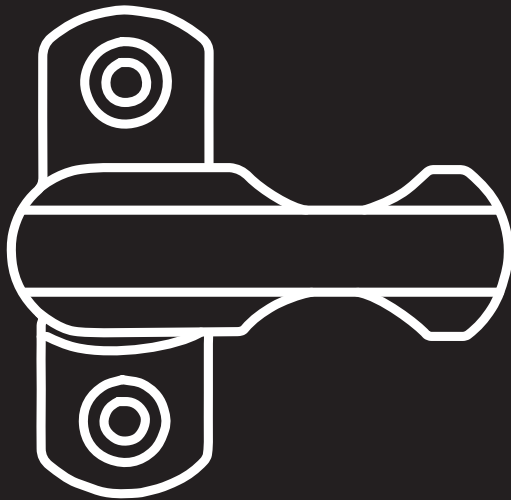


# **Enhanced Security & Safety Devices**





## PRODUCT RANGE

---

Mila offers a range of safety, security and ventilation enhancements for both window and door applications.

If you require advice on the application of any of these products please give our sales team a call on 01327 312 400.

# Enhanced Security & Safety Selection Guide



## AT A GLANCE PRODUCT MATRIX

	Page	Application: Doors	Application: Windows	Use: Friction Enhancement	Use: Ventilation Enhancement	Use: Safety Enhancement	Security Enhancement	Accreditation: Secured by Design	Guarantee: 2 Years	Guarantee: 5 Years	Guarantee: 10 Years	Guarantee: 25 Years
Restrictor Catch	347		✓			✓	✓			✓		
Restrictor Arm	348		✓			✓	✓			✓		
Ventilation Arm	350		✓		✓					✓		
iDeal Friction Arm	351		✓	✓						✓		
Mila Friction Arm	352	✓	✓	✓			✓	✓				✓
iDeal Casement Hinge Protector	353		✓				✓	✓				✓
Fearless Casement Hinge Protector	354		✓				✓	✓				✓
ProLinea Cable Restrictor	355	✓	✓			✓	✓					✓
Mini Cable Restrictor	356	✓	✓			✓	✓					✓
Mila Sash Block	357	✓	✓				✓			✓		
Eurosafe Safety Catch	358	✓	✓				✓	✓		✓		
Non-Rout Door Hinge Protector	360	✓					✓					✓
ProLinea Letterplate Cowl	361	✓					✓					✓
SUPA™ Letterplate Cowl	362	✓					✓					✓

# Restrictor Catch

For Windows



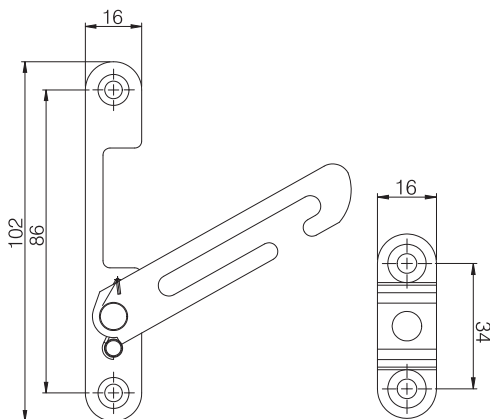
## PRODUCT INFORMATION



Enhanced  
Restrictor Catch

- Spring loaded safety and security catch for outward and inward opening windows
- When engaged, restricts windows to a maximum opening of 50mm
- To disengage, pull window back and hold the spring loaded arm to release from stud plate
- Catch automatically re-engages studplate upon closing window
- Handed
- Standard and enhanced version available
- 11.5mm and 12.5mm stud plates
- Tested to BSEN 14351-1, Load Bearing Capacity of Safety Devices, achieving 350N push test for 60 seconds

## TECHNICAL DRAWINGS



## GUARANTEE



## PART NUMBERS

Description	Left Hand	Right Hand
Restrictor Catch - Standard	062051C	062050C
Restrictor Catch - Enhanced	ANG8313C	ANG8312C
	<b>11.5mm</b>	<b>12.5mm</b>
Stud Plate - Standard	062053C	062054C
Stud Plate - Enhanced	ANG8314	-



# Restrictor Arm

For Windows

Enhanced  
Security & Safety



## PRODUCT INFORMATION



Closed position



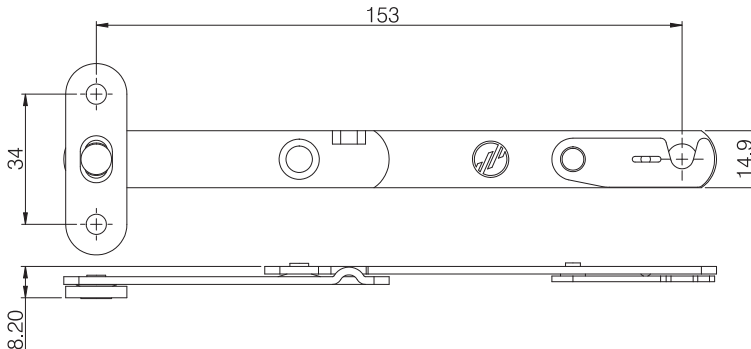
Fully extended  
when window open

- Restrictor arm for outward and inward opening windows
- Restrict opening to a maximum of 100mm
- Can be disengaged with a screw driver from sash/frame bracket for full window opening
- Manual reengagement required
- 2 options available;  
Type 110 with flat base bracket  
Type 111 with 3.5mm stepped base bracket

## PART NUMBERS

Description	Type	Hand	
Restrictor Arm 110	Flat	Right	060510
Restrictor Arm 110	Flat	Left	060511
Restrictor Arm 111	Stepped	Right	060514
Restrictor Arm 111	Stepped	Left	060515
Fixing Plate	Flat	-	060519
Fixing Plate	Stepped	-	060520
Sash Stud	-	-	060518

## TECHNICAL DRAWINGS



## GUARANTEE

## OUR UKAS ACCREDITED TEAM TEST ONLY WINDOWS & DOORS

It's what sets us apart from other test houses. And, as you would expect from a United Kingdom Accreditation Service (UKAS) accredited test house, all testing is 100% confidential.

Our team have been product testing for nearly 40 years.

We know the intricacies and complexities surrounding the 100's of combinations of hardware, profile systems and glazing, as well as the fabrication process itself, and how these variables can impact on whether your window or door passes or fails a test.

We also understand the latest standards and legislation and what you need to do to comply with them.

Our knowledge and jargon-free approach makes testing, well, not testing!

To book your test or for more info, call the Mila Test Centre team directly on 01327 311 165



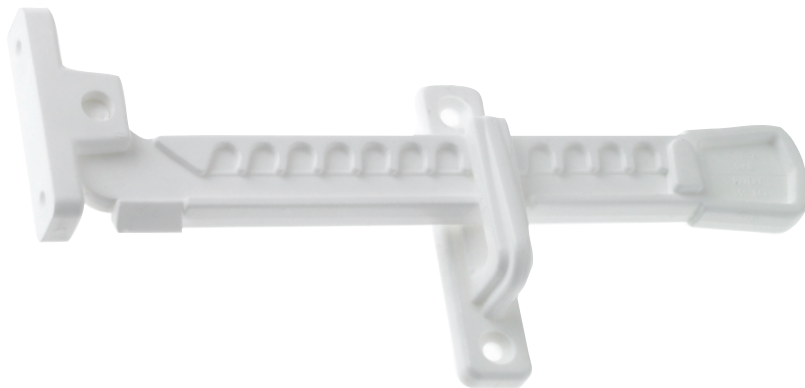
# Ventilation Arm

For Windows

Enhanced  
Security & Safety

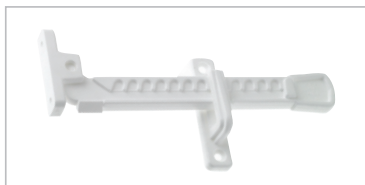


## PRODUCT INFORMATION



- Ventilation arm and catch for outward and inward opening windows
- When engaged, notches on arm allow for varying degrees of opening/restriction
- Maximum of 100mm opening/restriction
- Arm can be disengaged from the catch to allow window to open fully
- Arm automatically engages again when window is closed

## FINISHES



White



Brown

## GUARANTEES



## PART NUMBERS

Description	Application	Catch	White	Brown
Ventilation Arm	Outward & inward opening window	5/6	062010	062012
Catch	Outward opening window	5	062020	062022
Catch	Inward opening window	6	062026	062028



# iDeal Friction Arm

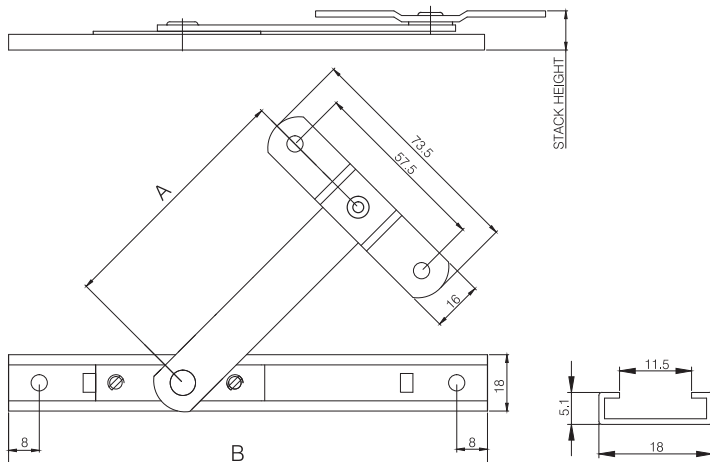
For Windows

## PRODUCT INFORMATION



- Provides adjustable friction for windows
- Completely concealed when window is closed
- No internal obstruction when opened
- For large top-hung windows, friction arm can be used as an extra support by fitting it below the existing friction hinge
- Can be used to limit window opening to a maximum of 90°
- Friction easily adjusted with an Allen key

## TECHNICAL DRAWING



## FIXING HOLE DETAILS & PART NUMBERS

Description	Size (")	Length (mm)	Part No.
iDeal Friction Arm	10.5	250	060160
iDeal Friction Arm	14	340	060164
iDeal Friction Arm	18	440	060168

## GUARANTEE



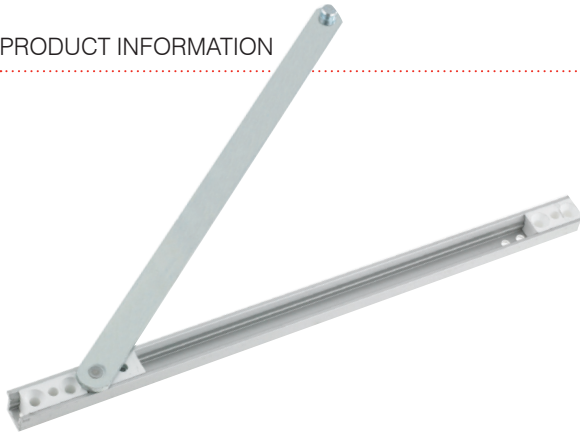
# Mila Friction Arm

For Windows & Doors

Enhanced  
Security & Safety

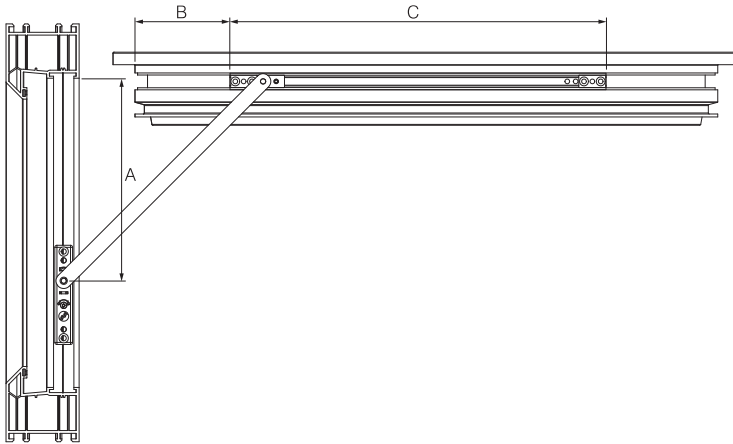


## PRODUCT INFORMATION



- Provides adjustable friction for windows and doors
- Can be used to limit door and window opening to a maximum of 90°
- Friction easily adjusted with an Allen key
- Suitable for use on inward and outward opening residential and French doors
- Suitable for use on inward opening tilt and turn windows
- Suitable for a full depth eurogroove only

## TECHNICAL DRAWING



## FIXING HOLE DETAILS & PART NUMBERS

Description	Dim A (mm)	Dim B (mm)	Dim C (mm)	Part No.
Friction Arm GR 190/126*	79	0	190	060203
Friction Arm GR 280/236.5*	169	67	280	060205
Friction Arm GR 360/236	169	67	360	060209
Friction Arm GR 360/270	193	91	360	060213

## GUARANTEES



Secured by Design



Police Preferred Specification

\*Not suitable for use on timber systems using rebate corner hinges  
Please note all measurements are approximate & may vary on different profiles



# iDeal Casement Hinge Protector

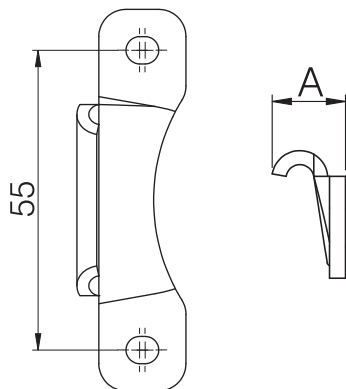
For Windows

## PRODUCT INFORMATION



- Security enhancement
- Provides anti-jemmy protection on the hinge side of casement windows
- Strong, die-cast sash and frame parts
- Suitable for both top hung and side hung casement windows
- Simple to fit both during fabrication or to retro-fit on-site
- Policed preferred specification - Secured by Design approved
- 2 sizes available to suit both 13mm and 17mm friction hinge stack heights

## TECHNICAL DRAWINGS



## CLOSE-UP



## GUARANTEES



## PART NUMBERS

Description	Friction Hinge Size (mm)	Dim A (mm)	Part No.
iDeal Casement Hinge Protector	13	11.5	023202
iDeal Casement Hinge Protector	17	13.5	023203



# Fearless Casement Hinge Protector

For Windows

Enhanced  
Security & Safety

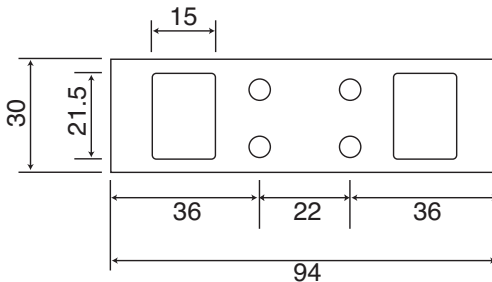
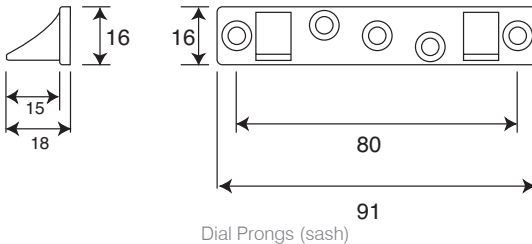


## PRODUCT INFORMATION



- Security enhancement
- Provides anti-jemmy protection on the hinge side of casement windows
- Strong, die-cast sash and frame parts
- Suitable for both top hung and side hung casement windows
- Simple to fit both during fabrication or to retro-fit on-site
- Policed preferred specification - Secured by Design approved
- 2 versions available to suit both 13 and 17mm stack height friction stays

## TECHNICAL DRAWINGS



## GUARANTEES



## PART NUMBERS

Description	Part No.
Universal Sash Part	420098
Universal Steel Top Striker	420089



# ProLinea Cable Restrictor

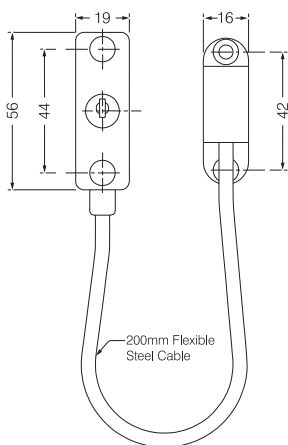
For Windows

## PRODUCT INFORMATION

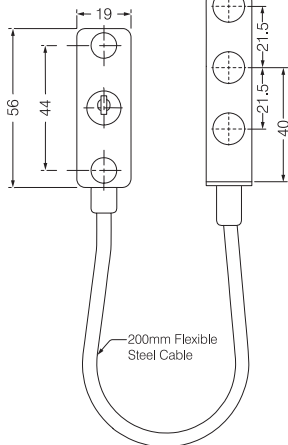


- Restricts window opening to enhance safety
- Available in 2 versions:
  1. fitted directly to the frame and sash
  2. fitted to the frame and beneath the window handle rose
- The cable can be unlocked and disengaged for ease of window cleaning, or in an emergency
- Zinc alloy sash part with fixed cable
- 200mm nylon coated steel cable, tested to 400kg
- Colour-matched screw cover caps
- Supplied complete with screws
- Supplied with 2 keys
- Tested to the performance requirements of BS 6375-2
- Simple to fit

## TECHNICAL DRAWINGS



Sash & Frame Fitting



Handle & Frame Fitting

## GUARANTEE



## PART NUMBERS

Description	Part No.
Handle Fit	060020
Flush fit	060030



# Mini Cable Restrictor

For Windows

Enhanced  
Security & Safety



## PRODUCT INFORMATION



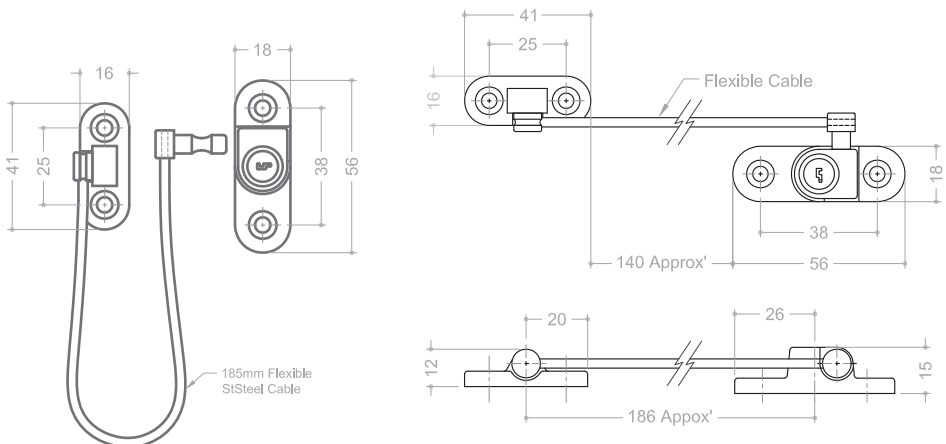
- Restricts window opening to enhance safety
- When engaged, restricts window opening to approximately 100mm
- The cable can be unlocked and disengaged for ease of window cleaning, or in an emergency
- 200mm nylon coated steel cable
- Simple to fit directly to the frame and sash
- Key locking
- Supplied complete with two types of fixing screws
- Supplied with 1 key
- Available in white and brown
- Tested to BS EN 14351-1:2006



## PART NUMBERS

Description	Part No.
Mini Cable Restrictor - White	060040
Mini Cable Restrictor - Brown	060041

## TECHNICAL DRAWINGS





# Sash Block

For Windows & Doors

## PRODUCT INFORMATION



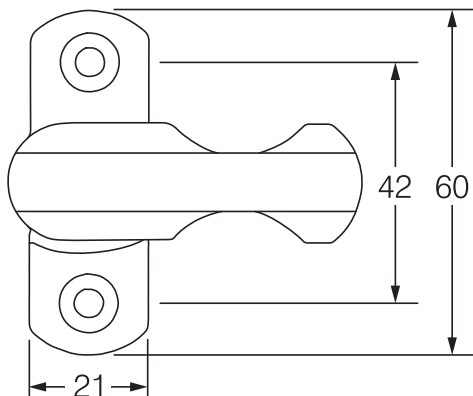
Closed position



Open position

- Security enhancement
- A solid zinc arm turns through 90° to engage the Sash Block, preventing the sash from being forced open
- The sash can be opened from inside when the Sash block is disengaged by turning the arm back through 90° into the open position
- Plastic cover caps conceal the fixings
- Supplied with wedges for use on a range of over-rebates
- Available in white or brown finishes
- Face fix and rear fix versions available

## TECHNICAL DRAWINGS



## FINISHES



White



Brown

## GUARANTEE



## PART NUMBERS

Description  
Mila sash block

White  
061720

Brown  
061721

# Eurosafe Safety Catch

For Windows & Doors

Enhanced  
Security & Safety



## PRODUCT INFORMATION



- Security enhancement
- Prevents the door or window being jemmied open from the outside
- Consists of solid frame part and sash block, locked through a security steel pin
- The window or door can be opened from inside when the device is disengaged by removing the security pin
- Concealed screws on the frame and sash over-rebate
- Security version available with a grub screw

## GUARANTEE



## PART NUMBERS

Description	White
Eurosafe Safety Catch - Standard	061510
Eurosafe Safety Catch - Security	061513

\*Special order item



## OUR UKAS ACCREDITED TEAM TEST ONLY WINDOWS & DOORS

It's what sets us apart from other test houses. As you would expect from a United Kingdom Accreditation Service (UKAS) accredited test house, all testing is 100% confidential.

Our team have been product testing for nearly 40 years.

We know the intricacies and complexities surrounding the 100's of combinations of hardware, profile systems and glazing, as well as the fabrication process itself, and how these

variables can impact on whether your window or door passes or fails a test.

We also understand the latest standards and legislation and what you need to do to comply with them.

Our knowledge and jargon-free approach makes testing, well, not testing!

To book your test or for more info, call the Mila Test Centre team directly on 01327 311 165



# Non-Route Door Hinge Protector

For Doors

Enhanced  
Security & Safety



## PRODUCT INFORMATION

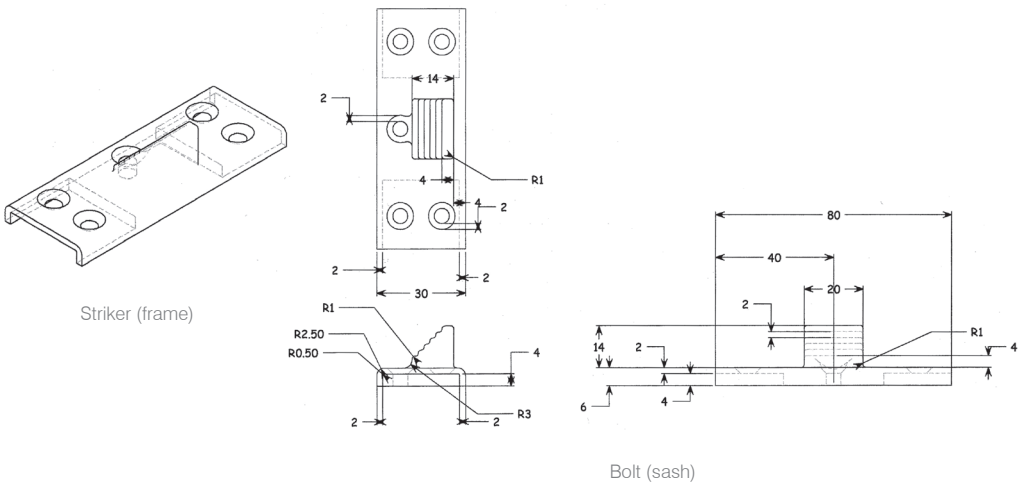
## GUARANTEE



- Enhances hinge side security on doors
- Large die-cast bolt slots securely into eurogroove when the window/door is closed providing an effective anti-jemmy feature
- No routing or prep required
- Simple to fit during fabrication
- Simple to retro-fit on-site
- Suits most major profiles through the use of profile related plastic packers
- Box quantity - 100



## TECHNICAL DRAWINGS



## PART NUMBERS

### Description

Non-Route Hinge Protector

### Part No.

023886





# ProLinea Letterplate Cowl

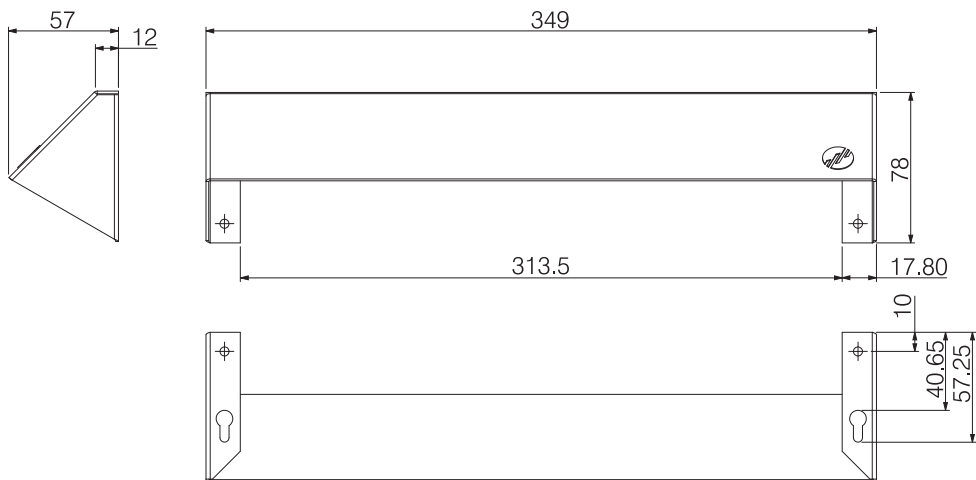
Security Enhancement

## PRODUCT INFORMATION



- The letterbox cowl locates around an existing letterbox on the internal side of a door to provide enhanced door security by limiting the opening angle of internal letterbox flap
- Manufactured from aluminium
- This effectively reduces vulnerability to 'letterbox fishing' whilst still allowing accessibility for post

## TECHNICAL DRAWINGS



## PART NUMBERS

Description

ProLinea Letterbox Cowl

White

111008

## GUARANTEE



# Supa™ Letterplate Cowl

Stainless Steel Security Enhancement

Enhanced  
Security & Safety

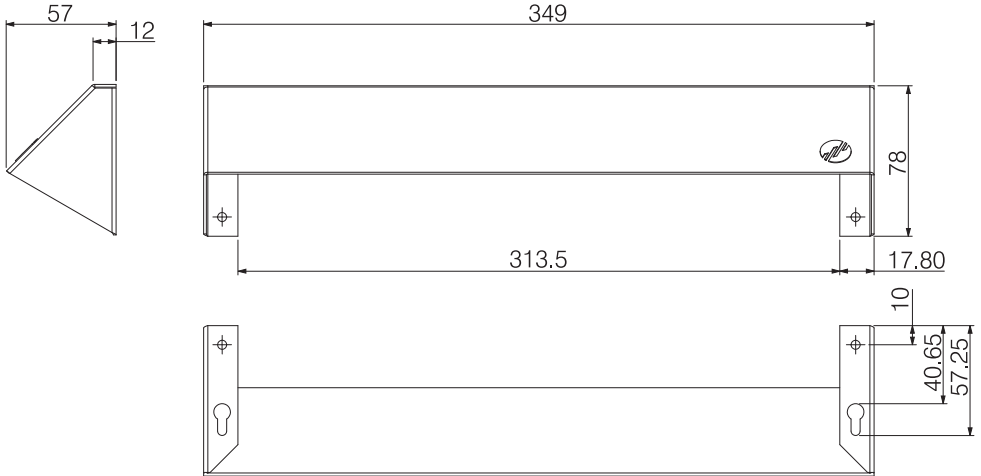


## PRODUCT INFORMATION



- Security enhancement
- Manufactured from grade 304 stainless steel
- Reduces vulnerability to 'letterbox fishing'
- Manufactured from stainless steel
- Quick to install during manufacture
- Simple to retro-fit on site
- Fits around the letterbox on the internal side of the door
- Suitable for use with most letterboxes & residential doors

## TECHNICAL DRAWINGS



## PART NUMBERS

## GUARANTEE

Description

Brushed  
Stainless

Polished  
Stainless

Supa Stainless Steel Letterplate Cowl

111002

111000

