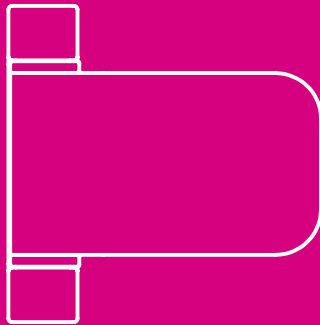


Door Hinges





Choosing Your Door Hinge

IDENTIFICATION



Enhanced Security Hinge

Enhanced security hinges can help doors meet the requirements of PAS 24 without the need for additional security devices such as hinge protectors.



Hybrid Door Hinge

A hinge that combines the best elements of two hinges.



Flag Hinge

Standard flag hinges generally provide better security performance than traditional butt hinges.



Standard Butt Hinge

Standard hinge sash parts are angled to match the bevel of the sash. The most common angles are: 0°, 5°, 10° and 15°.



Rebated Butt Hinge

Rebated hinges (also known as “wrap-around”) fix directly into the sash rebate. Depending on the profile system either a 9mm, 11mm or 13mm size is fitted.



Composite Door Hinge

Composite door hinges are designed for use on timber or composite doors with no over-rebate.

FINISHES

Mila door hinges are available in a range of suited and profile colour-matched finishes.



Door Hinge Selection Guide



AT A GLANCE PRODUCT MATRIX

	Page	Adjustment Lateral	Adjustment Vertical	Adjustment Compression	Accreditation CE Marked	Accreditation Secured by Design	Tested to PAS24	Guarantee 5 Year Mechanical	Guarantee 10 Year Mechanical	Guarantee 25 Year Mechanical	Guarantee 5 Year Surface Finish	Guarantee 10 Year Surface Finish	Finish Profile colour-matched	Finish Anthracite Grey	Finish Light Oak	Finish Brown	Finish Black	Finish White	Finish Smooth Satin Chrome	Finish Smokey Chrome	Finish Polished Gold	Finish Polished Chrome	
ProSecure Door Hinge	171	✓	✓	✓	✓	✓	✓			✓	✓	✓	✓	✓	✓	✓	✓	✓	✓	✓	✓	✓	✓
ProSecure Hinge for Composite Doors	175	✓	✓	✓	✓	✓	✓			✓	✓	✓	✓	✓	✓	✓	✓	✓	✓	✓	✓	✓	✓
Evolution Door Hinge	177	✓	✓	✓	✓	✓	✓	✓			✓	✓			✓	✓	✓	✓	✓	✓	✓	✓	✓
iDeal Flag Hinge	179	✓	✓	✓				✓			✓	✓			✓	✓	✓	✓	✓	✓	✓	✓	✓
iDeal Butt Hinge for Composite Doors	181	✓	✓	✓	✓	✓	✓	✓			✓	✓			✓	✓	✓	✓	✓	✓	✓	✓	✓
iDeal Butt Hinge Rebated	183	✓	✓	✓				✓			✓	✓			✓	✓	✓	✓	✓	✓	✓	✓	✓
iDeal Butt Hinge Standard	185	✓	✓	✓				✓			✓	✓			✓	✓	✓	✓	✓	✓	✓	✓	✓
Composite Door Hinge Cover Strip	187											✓						✓					



ProSecure Door Hinge

Enhanced Security Hybrid Hinge



PRODUCT INFORMATION



- ProSecure is the only hinge on the market supplied fully assembled in one piece ready-to-fit straight from the box
- Proven to be faster to fit than any other security hinges in time trials under test conditions (**search ProSecure Hinge in YouTube to watch the video!**)
- Patented adjustment method - rotate your Allen key 90° to achieve +/-5mm lateral adjustment
- Vertical adjustment (+5mm) & compression adjustment (+/-1mm) can also be achieved
- Static cling TechTape protects the hinge lid during installation and conveniently shows adjustment instructions
- A recyclable rubber tongue prevents the hinge lid closing during transit and until installation is complete

2 Installation Options:

Lift-on using Glider technology. Simply fix the Glider to the frame, then simply slide on the whole hinge

Front-fit by removing the steel hinge pin - perfect for low reveals

- Virtually jigless - only 2 holes to pre-drill
- Captive hinge lid pivots open & closed for fast, easy installation

Tested to:

- BSEN 1670:2007 Grade 5 (extreme corrosion resistance)
- BSEN 1935:2002 Grade 12 (extreme durability achieving 200,000 cycles at 80kg)
- PAS 24:2014 (enhanced security)
- Police preferred specification

Captive Hinge Lid
Pivots open & closed for fast, easy installation



Patented Adjustment

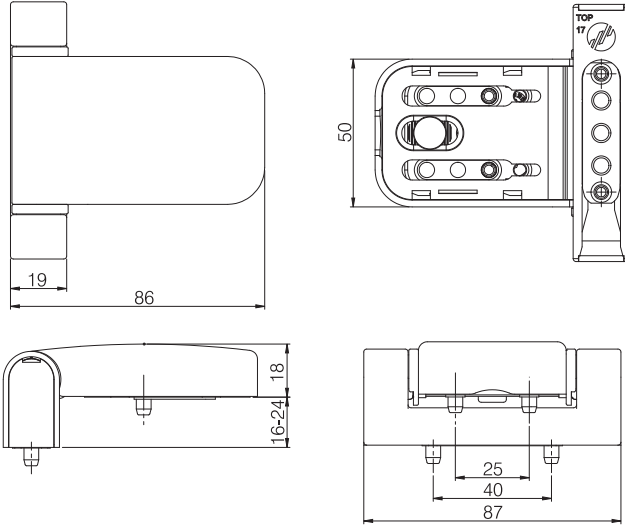
Our patented front adjustment method is fast not fiddly



ProSecure Door Hinge

Enhanced Security Hybrid Hinge

TECHNICAL DRAWINGS



GUARANTEES



CLOSE UP



Rubber Tongue
Ensures the hinge lid remains open until installation is complete



2 Installation Options
Lift on or front-fit on-site for low reveals (shown)



Jig

FITTED IN 4 STEPS



1. Jig



2. Slide-on



3. Lift & Fit



4. Adjust



ProSecure Door Hinge

Enhanced Security Hybrid Hinge



FINISHES



Polished Gold



Polished Chrome



Smokey Chrome



Smooth Satin Chrome



White



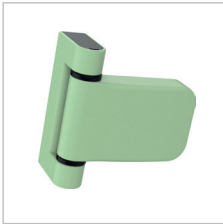
Black



Light Oak



Brown



Chartwell Green



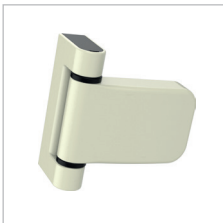
Anthracite Grey



Silk Grey



Cement Grey



Cream



ProSecure Door Hinge

Enhanced Security Hybrid Hinge

PART NUMBERS

Description	Rebate	Polished Gold	Polished Chrome	Smooth Satin Chrome	Smokey Chrome	White	Black	Light Oak	Brown
ProSecure Door Hinge	16mm	026002	026004	026019	026007	026000	026005	026003	026001
ProSecure Door Hinge	17mm	026022	026024	026039	026027	026020	026025	026023	026021
ProSecure Door Hinge	18mm	026042	026044	026059	026047	026040	026045	026043	026041
ProSecure Door Hinge	19mm	026062	026064	026079	026067	026060	026065	026063	026061
ProSecure Door Hinge	20mm	026082	026084	026099	026087	026080	026085	026083	026081
ProSecure Door Hinge	21mm	026102	026104	026119	026107	026100	026105	026103	026101
ProSecure Door Hinge	22mm	026122	026124	026139	026127	026120	026125	026123	026121
ProSecure Door Hinge	23mm	026142	026144	026159	026147	026140	026145	026143	026141
ProSecure Door Hinge	24mm	026162	026164	026179	026167	026160	026165	026163	026161

Description	Rebate	Chartwell Green	Anthracite Grey	Silk Grey	Cement Grey	Cream
ProSecure Door Hinge	16mm	026008	026009	026010	026011	026012
ProSecure Door Hinge	17mm	026028	026029	026030	026031	026032
ProSecure Door Hinge	18mm	026048	026049	026050	026051	026052
ProSecure Door Hinge	19mm	026068	026069	026070	026071	026072
ProSecure Door Hinge	20mm	026088	026089	026090	026091	026092
ProSecure Door Hinge	21mm	026108	026109	026110	026111	026112
ProSecure Door Hinge	22mm	026128	026129	026130	026131	026132
ProSecure Door Hinge	23mm	026148	026149	026150	026151	026152
ProSecure Door Hinge	24mm	026168	026169	026170	026171	026172

Jig 026900



ProSecure Door Hinge

Enhanced Security Hinge for Flush Systems



PRODUCT INFORMATION



- Enhanced Security door hinge designed for flush systems
- The only hinge on the market supplied fully assembled in one piece ready-to-fit straight from the box
- Proven to be faster to fit than any other security hinges in time trials under test conditions
- Patented adjustment method - rotate your Allen key 90° to achieve +5mm lateral adjustment
- Vertical adjustment (+/-5mm) & compression adjustment (+/-1mm) can also be achieved
- Static cling TechTape protects the hinge lid during installation and conveniently shows adjustment instructions
- A rubber tongue prevents the hinge lid closing during transit and until installation is complete

2 Installation Options:

Lift-on using Glider technology. Simply fix the Glider to the frame, then simply slide on the whole hinge

Front-fit by removing the steel hinge pin - perfect for low reveals

- Virtually jiggless - Only 2 holes to pre-drill
- Captive hinge lid pivots open & closed for fast, easy installation

Tested to:

- BSEN 1670:2007 Grade 5 (extreme corrosion resistance)
- BSEN 1935:2002 Grade 12 (extreme durability achieving 200,000 cycles at 80kg)
- PAS 24:2014 (enhanced security)
- Police preferred specification

GUARANTEES



Secured by Design



Police Preferred Specification

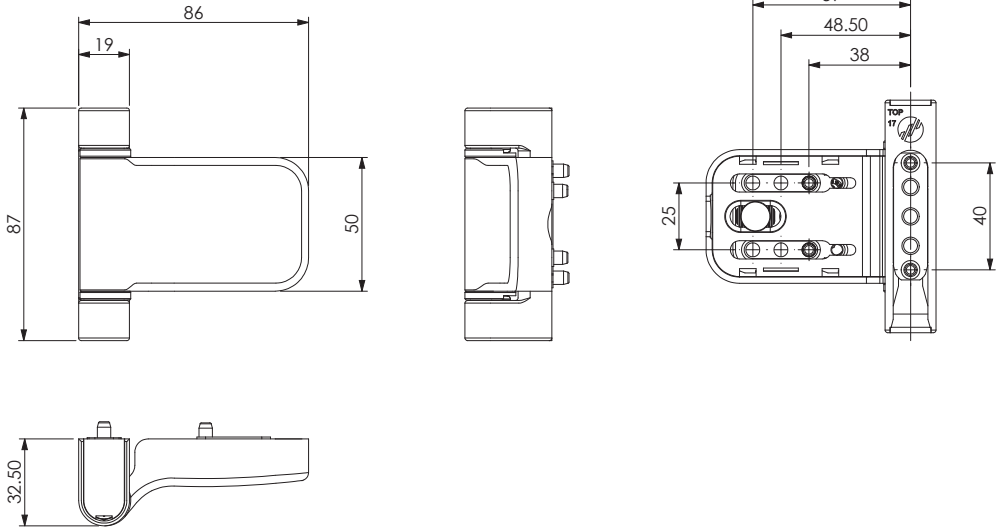




ProSecure Door Hinge

Enhanced Security Hybrid Hinge

TECHNICAL DRAWINGS



FINISHES



PART NUMBERS

Desc.	Hand	Polished Gold	Polished Chrome	Smooth Satin Chrome	Smokey Chrome	White	Black	Light Oak	Brown	Heritage Black	Heritage Pewter
ProSecure hinge for flush systems	R	026302	026304	026309	026307	026300	026305	026303	026301	026310	026308
	L	026322	026324	026329	026327	026320	026325	026323	026321	026330	026328



Evolution Door Hinge

Enhanced Security



PRODUCT INFORMATION



Enhanced security door hinge. Robust design with subtle sightlines, available in 8 finishes.

- 3 dimensional adjustment - lateral (+/- 4mm), vertical (+4mm) & compression (+/-1mm) for easy installation
- Adjustment achieved with an Allen key without the need to dismount the door leaf
- 3 main components including frame part, sash part & sash cover
- Infill pieces available for use on ovolo & chamfered profiles
- Steel hinge pin for added strength, held in place with security grub screw
- Weather resistant - tested to 480 hours salt spray
- Tested to the operational performance and enhanced security requirements of PAS 024
- Meets the Police Preferred Specification requirements of Secured by Design
- Cycle tested to 100,000 cycles, more than twice the industry requirement
- Tested to BS EN 1935 - the European standard which specifies requirements for single-axis hinges for windows and doors opening in one direction only, whose rotation axis is no more than 30 mm from the face of the sash or door.

CE	MILA, DAVENTRY, NN11 8RB. UK	14							
	1121-CPR-AC5036	EN1935: 2002	1	4	3	0	1	4	0

8 FINISHES



Polished Gold

Polished Chrome

Smokey Chrome

Smooth Satin Chrome

White

Black

Light Oak

Brown

Also available in Chartwell green, anthracite grey and cream. Please contact the Mila sales team for more info

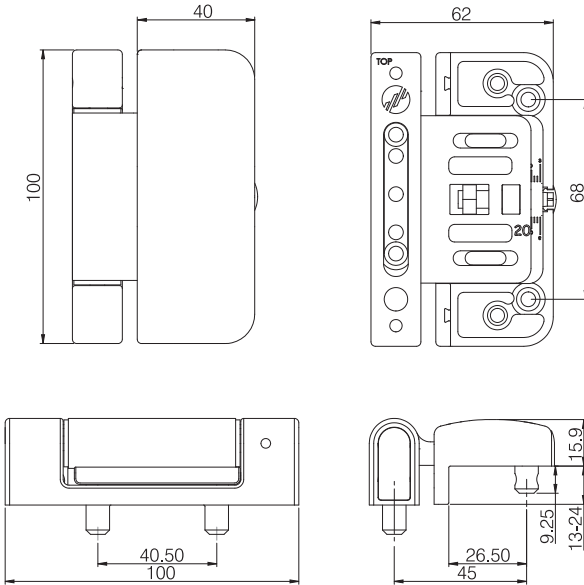
Evolution Door Hinge

Enhanced Security

Door Hinges



TECHNICAL DRAWINGS



GUARANTEES



PART NUMBERS

Polished Gold	Polished Chrome	Smooth Satin Chrome	Smokey Chrome	Black	White
Evo Gold 14/19	Evo Chrome 14/19	Evo S/Satin 14/19	Evo S/Chrome 14/19	Evo Black 14/19	Evo White 14/19
Evo Gold 15/18	Evo Chrome 15/18	Evo S/Satin 15/18	Evo S/Chrome 15/18	Evo Black 15/18	Evo White 15/18
Evo Gold 16/17	Evo Chrome 16/17	Evo S/Satin 16/17	Evo S/Chrome 16/17	Evo Black 16/17	Evo White 16/17
Evo Gold 17/24	Evo Chrome 17/24	-	Evo S/Chrome 17/24	Evo Black 17/24	Evo White 17/24
Evo Gold 18/23	Evo Chrome 18/23	Evo S/Satin 18/23	Evo S/Chrome 18/23	Evo Black 18/23	Evo White 18/23
Evo Gold 19/22	Evo Chrome 19/22	Evo S/Satin 19/22	Evo S/Chrome 19/22	Evo Black 19/22	Evo White 19/22
Evo Gold 20/21	Evo Chrome 20/21	Evo S/Satin 20/21	Evo S/Chrome 20/21	Evo Black 20/21	Evo White 20/21
Light Oak	Brown				
Evo L/Oak 14/19	Evo Brown 14/19				
Evo L/Oak 15/18	Evo Brown 15/18				
Evo L/Oak 16/17	Evo Brown 16/17				
Evo L/Oak 17/24	Evo Brown 17/24				
Evo L/Oak 18/23	Evo Brown 18/23				
Evo L/Oak 19/22	Evo Brown 19/22				
Evo L/Oak 20/21	Evo Brown 20/21				



iDeal Flag Hinge

PRODUCT INFORMATION



- 3 dimensional adjustment - vertical (+4mm), lateral (+/- 5mm) and fine tuning for compression (+/- 1mm)
- Adjustment with 5mm Allen key achieved without removing door leaf from frame
- Steel hinge pin for enhanced strength
- Captive sash retaining screw for simple sash lid fitting
- 'Lift-on, lift-off' design for efficient on-site installation by one person
- Positive location of the top cover cap and height adjustment packer further eases fabrication
- 4 over-rebate bushes to fit over-rebate heights 14 - 24mm - bushes are marked 14-20mm, 15-19mm, 16-18mm and 17mm
- Utilises only 1 frame packer to alter over-rebate heights by a further 4mm, suiting a range of profile systems
- 'Friction fit' packer for ease of fabrication
- Tested to exceed BS6375-2 requirements
- Tested to 50,000 cycles underload
- Exceeds 96 hours salt spray corrosion resistance requirements - plated finishes 240 hours, powder coated finishes 480 hours
- Maximum sash weight 80kg with (2 hinges)

GUARANTEES



FINISHES



Polished Gold



Polished Chrome



Smokey Chrome



Smooth Satin Chrome



White



Light Oak



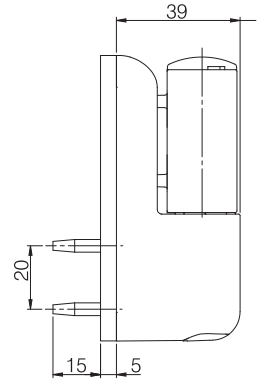
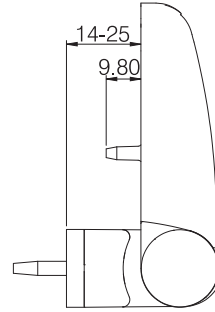
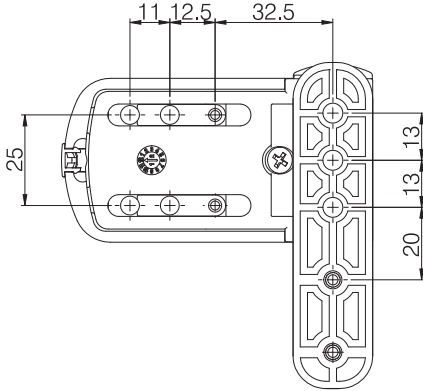
Brown

iDeal Flag Hinge

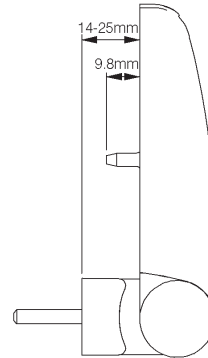
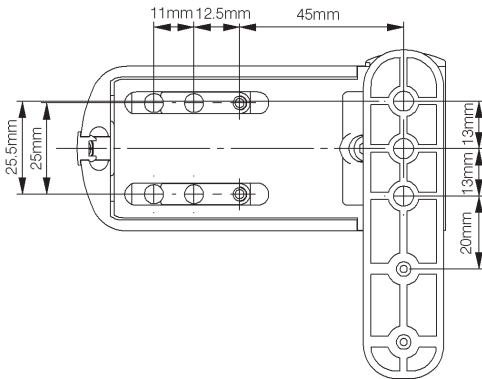


TECHNICAL DRAWINGS

85mm



100mm



PART NUMBERS

Description	Length (mm)	Polished Gold	Polished Chrome	Smooth Satin Chrome	Smokey Chrome	White	Light Oak	Brown	Jig 14mm	Jig 19mm
Ideal Flag Hinge	85	022102A	022104A	022109A	022107A	022100A	022103A	022101A	022532	022534
Ideal Flag Hinge	100	022122A	022124A	022129A	022127A	022120A	022123A	022121A	022533	022535



iDeal Butt Hinge

For Composite Doors



PRODUCT INFORMATION



- Butt hinge suitable for composite doors
- Fully adjustable for ease of installation and to ensure weather tightness
- Lateral adjustment +/-2mm
- Vertical adjustment +4mm
- Compression adjustment +2mm
- Adjustment can be achieved without dismantling door leaf
- Steel hinge pin enhances security
- 8mm diameter bosses provide additional stability
- Tested to 50,000 cycles underload
- Salt spray testing - 480 hours on powder coated versions, 240 hours on plated versions
- Maximum sash weight 80kg with (3 hinges)
- Simple to fit
- Suits with other Mila door and window hardware products
- Hinge cover strips (284-285) & colour-matched composite door locks are available to suit this product

FINISHES



Polished Gold



Polished Chrome



Smokey Chrome



Smooth Satin Chrome



White



Black



Light Oak



Brown

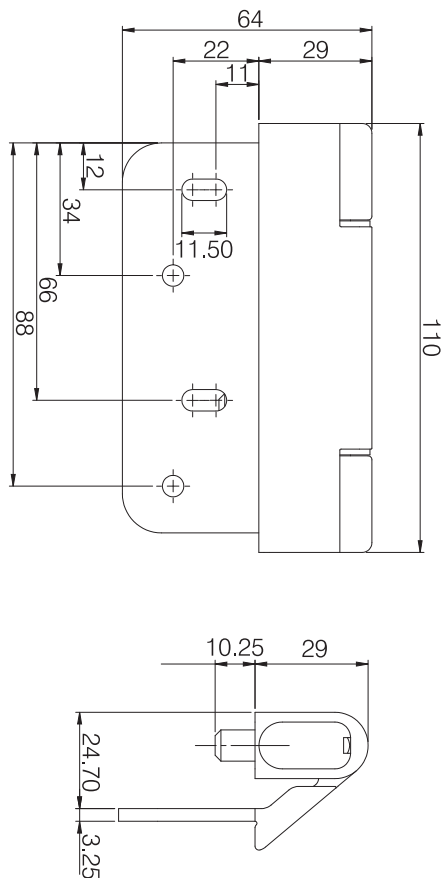
iDeal Butt Hinge

For Composite Doors

Door Hinges



TECHNICAL DRAWINGS



GUARANTEES



Secured by Design



Police Preferred Specification



PART NUMBERS

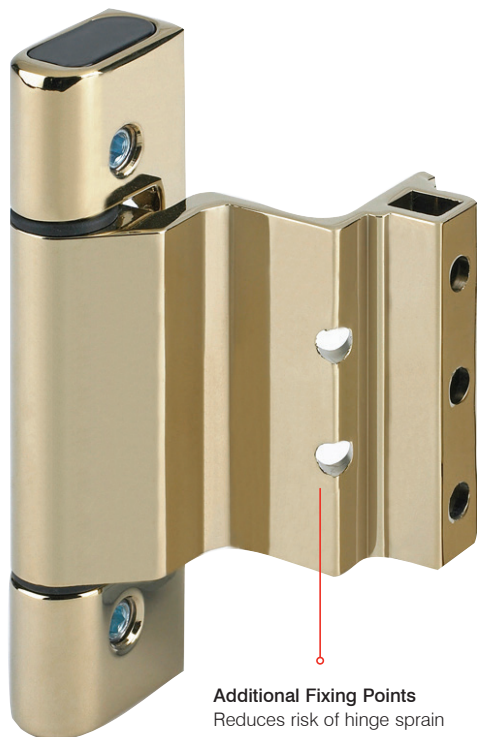
Description	Polished Gold	Polished Chrome	Smooth Satin Chrome	Smokey Chrome	White	Black	Light Oak	Brown
iDeal Butt Hinge for composite doors	022262	022264	022269	022267	022260	022265	022263	022261
Jig	022540							



iDeal Butt Hinge

Rebated

PRODUCT INFORMATION



- Rebated butt hinge
- Rebated version fits 9mm, 11mm and 13mm eurogroove positions
- Fully adjustable for ease of installation and to ensure weather tightness
- Lateral adjustment +/-2mm
- Vertical adjustment +4mm
- Adjustment can be achieved without dismantling door leaf
- Steel hinge pin enhances security
- 8mm diameter bosses provide additional stability
- Tested to 50,000 cycles underload
- Salt spray testing - 480 hours on powder coated versions, 240 hours on plated versions
- Maximum sash weight 80kg with (3 hinges)
- Available in 7 high quality finishes including contemporary smokey chrome and smooth satin chrome
- Simple to fit
- Suits with other Mila door and window hardware products
- Jigs available, please ask our sales team for details

FINISHES



Polished Gold



Polished Chrome



White



Light Oak



Brown

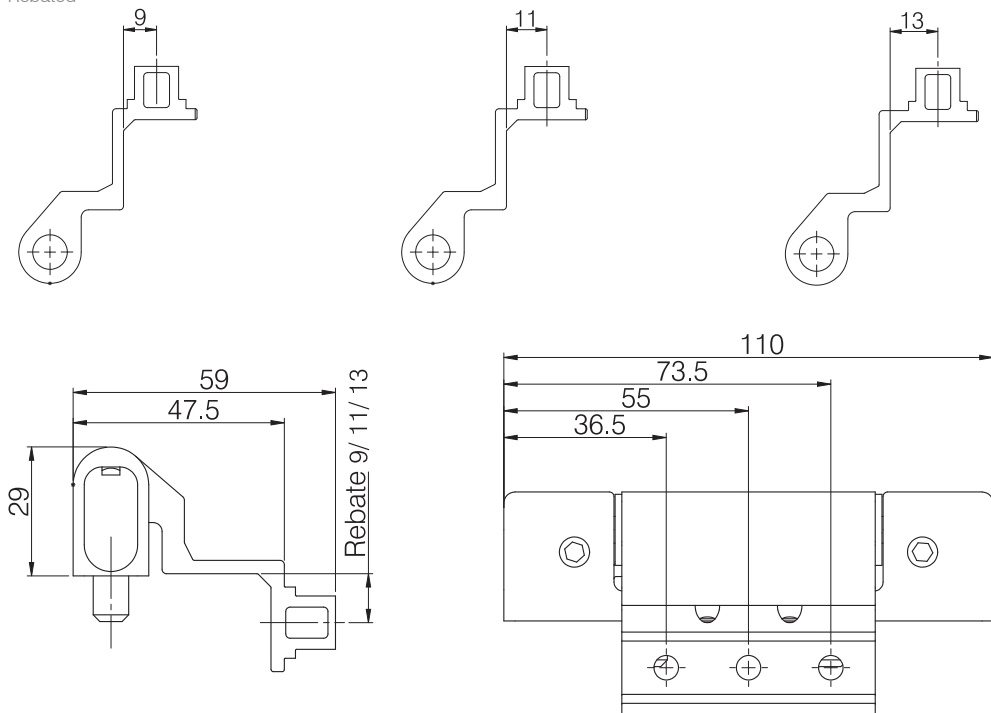
iDeal Butt Hinge

Rebated



TECHNICAL DRAWINGS

Rebated



GUARANTEES



PART NUMBERS

Description	Rebate	Polished Gold	Polished Chrome	White	Brown	Light Oak
iDeal Butt Hinge	9mm	-	-	022290	-	-
iDeal Butt Hinge	11mm	-	-	022310	022311	022312
iDeal Butt Hinge	13mm	022323	022324	022320	022321	022322



iDeal Butt Hinge

Standard

PRODUCT INFORMATION



- Standard butt hinge
- Fully adjustable for ease of installation and to ensure weather tightness
- Lateral adjustment +/-2mm
- Vertical adjustment +4mm
- Compression adjustment +2mm
- Adjustment can be achieved without dismantling door leaf
- Steel hinge pin enhances security
- 8mm diameter bosses provide additional stability
- Tested to 50,000 cycles underload
- Salt spray testing - 480 hours on powder coated versions, 240 hours on plated versions
- Maximum sash weight 80kg with (3 hinges)
- Available in 7 high quality finishes including contemporary smokey chrome and smooth satin chrome
- Simple to fit
- Suits with other Mila door and window hardware products
- Jigs available, please ask our sales team for details

FINISHES



Polished Gold



Polished
Chrome



Smokey
Chrome



Smooth Satin
Chrome



White



Light Oak



Brown

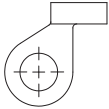


iDeal Butt Hinge

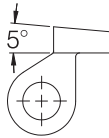
Standard

TECHNICAL DRAWINGS

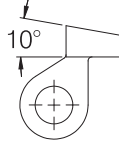
Standard or Edge Fix



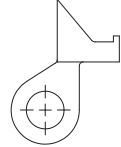
Edge Fix 0°



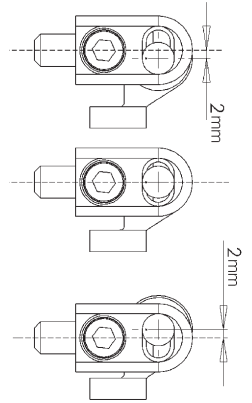
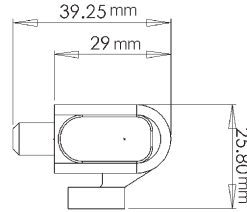
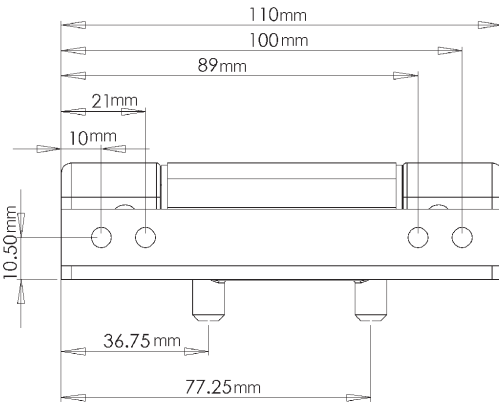
Edge Fix 5°



Edge Fix 10°



Edge Fix Rehau 706



GUARANTEES



PART NUMBERS

Description	Execution	Polished Gold	Polished Chrome	Smooth Satin Chrome	Smokey Chrome	White	Brown	Light Oak
iDeal Butt Hinge	0°	-	-	-	-	022200	022201	022202
iDeal Butt Hinge	5°	-	-	-	-	022210	022211	022212
iDeal Butt Hinge	10°	022223	022224	022229	022227	022220	022221	022222
iDeal Butt Hinge	Rehau	-	022244	-	-	022240	022241	022242



Door Hinge Cover Strip

For Composite Doors

PRODUCT INFORMATION

- Hinge cover strip for composite doors
- White finish
- Length 2040mm
- Width 45mm
- Corrosion resistance to EN1670:2007 Grade 4



CLOSE UP



White

Door Hinge Cover Strip

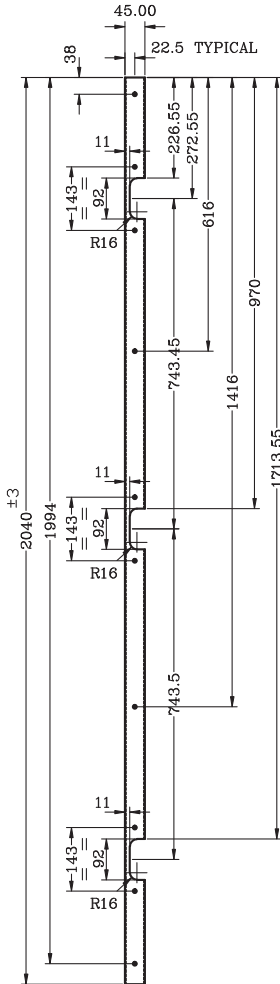
For Composite Doors

Door Hinges



TECHNICAL DRAWINGS

GUARANTEES



PART NUMBERS

Description
Hinge Cover Strip

White
021060
