

The **ProStyle Letterbox** is available in stylish polished gold, polished chrome, smokey chrome, satin chrome, black & white finishes.

Mila Hardware has been the UK's leading distributor of hardware to the replacement window and door industry for over 30 years. Our comprehensive product range includes our own innovative Mila brand products, designed & developed in-house, as well as other market-leading brands enabling us to offer value, mid-range and premium product solutions to every customer, for almost any application, in every market sector.

01327 312 400
www.mila.co.uk

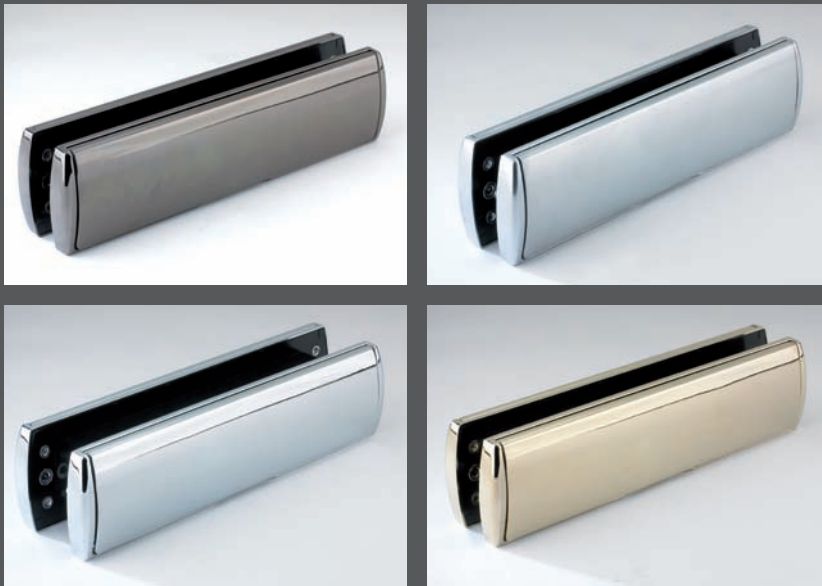


Home Suite Home

ProStyle letterboxes suite perfectly with ProStyle door handles & ProStyle window handles, combining smart design, reliable operation & contemporary, durable finishes.

This page features our ProStyle letterbox in a durable polished chrome finish

home suite home



ProStyle Letterbox

The ProStyle letterbox designed in house by Mila's specialist product development team, combines smart design features, reliable operation and contemporary finishes.

Design registered, with patent pending, the sleek frame and flap design incorporate a concealed flap operating mechanism to maintain subtle exterior sightlines. The ProStyle letterbox features internal and external thumb access for ease of use. When fully open the external flap opens to 180° without over stressing and smart frame design prevents abrasive action against the flap during operation. The internal flaps opens to 180°.

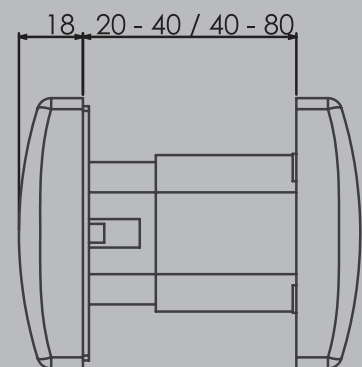
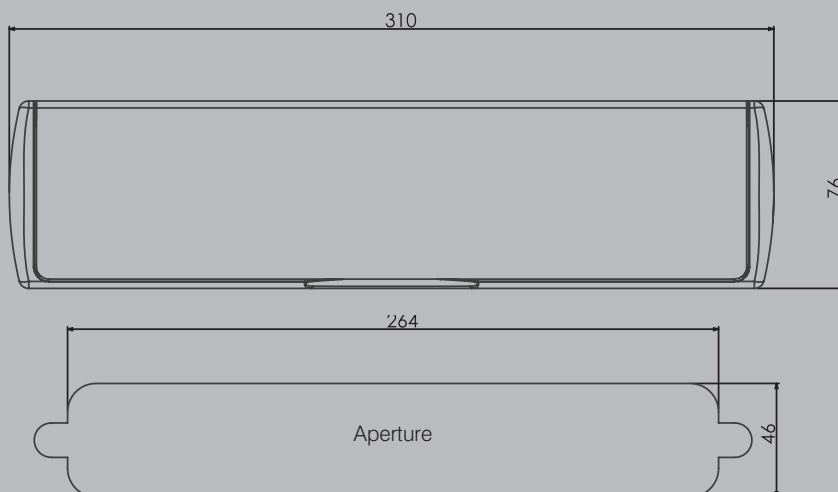
Tested to meet industry standards at the UKAS accredited Mila Test Centre the ProStyle letterbox has been cycle tested to 50,000 cycles and has superior corrosion resistance, exceeding the 240 hour industry requirement.

A combination of external foam and internal nylon brushes maximises weather sealing.

The ProStyle letterbox is available in two telescopic sleeve sets to suit door thickness 18-38mm and 38-78mm. Available in a range of contemporary finishes, including smokey chrome and satin chrome, the ProStyle letterbox suites perfectly with ProStyle door handles and espag handles as well as the Ideal flag hinge.

Technical Specification

Type	Letterbox
External Flap Opening (degrees)	180°
Internal Flap Opening (degrees)	180°
Weather Sealing	External - foam, Internal - nylon brushes
Sleeve sets 20/40	Suitable for door thicknesses 24-33mm
Sleeve sets 40/80	Suitable for door thicknesses 40-78mm
Cycles	50,000
Corrosion Resistance (hrs)	240 hrs (plated) 480 hrs (powder coated)
Finishes	White, black, polished chrome (PVD), polished gold (PVD), smokey chrome (PVD), satin chrome



Part Numbers

Description	Size	Black	White	Polished Chrome	Polished Gold	Smokey Chrome	Satin Chrome
ProStyle Letterbox	20/40	110907	110908	110901	110904	110905	110902
ProStyle Letterbox	40/80	110927	110928	110921	110924	110925	110922

10 years
Mechanical Guarantee

2 years
Labour Guarantee

10 years
Surface Finish (powder coated) Guarantee

5 years
Surface Finish (plated) Guarantee

Mila Hardware, 1 Brunel Close, Drayton Fields, Daventry, Northants. NN11 8RB
Mila Sales. 01327 312 400 Web. www.mila.co.uk