

**ProStyle Espag Handles** are available in polished gold, polished chrome, smokey chrome, satin chrome, black & white finishes.

Mila Hardware has been the UK's leading distributor of hardware to the replacement window and door industry for over 30 years. Our comprehensive product range includes our own innovative Mila brand products, designed & developed in-house, as well as other market-leading brands enabling us to offer value, mid-range and premium product solutions to every customer, for almost any application, in every market sector.



## Home Suite Home

ProStyle espag handles suite perfectly with ProStyle door handles & ProStyle letterboxes, combining smart design, reliable operation & contemporary, durable finishes.

**01327 312 400**  
**[www.mila.co.uk](http://www.mila.co.uk)**

This page features our ProStyle espag handle, locking, in a contemporary polished chrome finish.

## home suite home



Above: ProStyle espag handles in satin chrome, smokey chrome, polished gold & white finishes.

## ProStyle Espag Handles

The off-set ProStyle espag handle, designed by Mila's in-house product development team, features a contemporary rose and screw cover cap design.

Design registered, the rose cleverly conceals an internal 90° stop which prevents the gearbox from being overstressed and, in turn, a colour matched edge-to-edge screw cap covers the whole of the rose. This

results in a handle with minimal, modern sight lines.

The ergonomic button assembly provides smooth operation and is available in locking, push button and green button egress versions for emergency exit.

The ergonomic tear drop lever offers style whilst providing optimum comfort when in use.

Manufactured from a high performance zinc alloy, the ProStyle espag handle has been successfully tested to 500,000 cycles – more than 20 times the industry standard requirement - at the UKAS accredited Mila Test Centre.

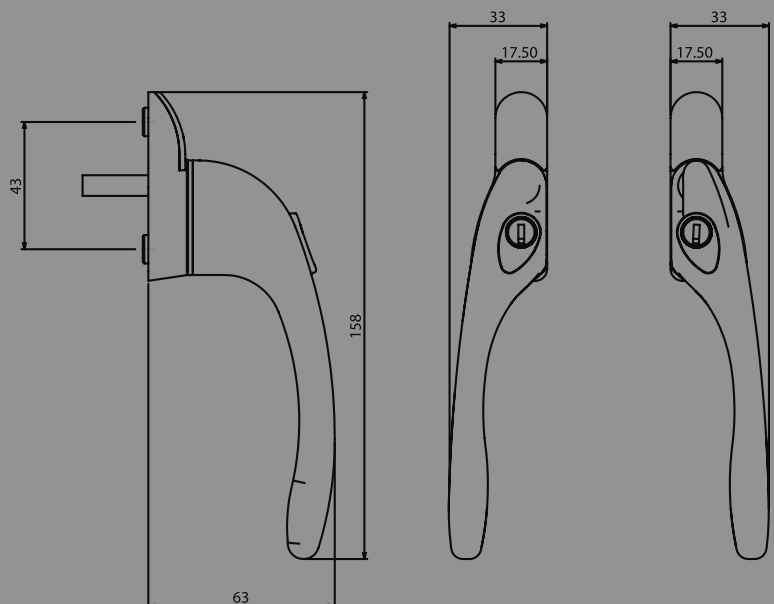
The ProStyle espag handle is available in a range of pin lengths and a choice of finishes including polished gold, polished chrome,

smokey chrome and satin chrome, black and white.

All handles come complete with fixing screws as standard.

## Technical Specification

Type	Espag handle, off-set
Pin lengths	9mm - 55mm
Button Options	Locking, push button, green button egress
Cycles	25,000
Salt Spray (hrs)	240 hrs (plated), 480 hrs (powder coated)
Finishes	White, black, polished chrome, polished gold, smokey chrome, satin chrome



**10** years  
Mechanical Guarantee

**2** years  
Labour Guarantee

**10** years  
Surface Finish (powder coated) Guarantee

**5** years  
Surface Finish (plated) Guarantee

Mila Hardware, 1 Brunel Close, Drayton Fields, Daventry, Northants. NN11 8RB  
Mila Sales. 01327 312 400 Web. [www.mila.co.uk](http://www.mila.co.uk)