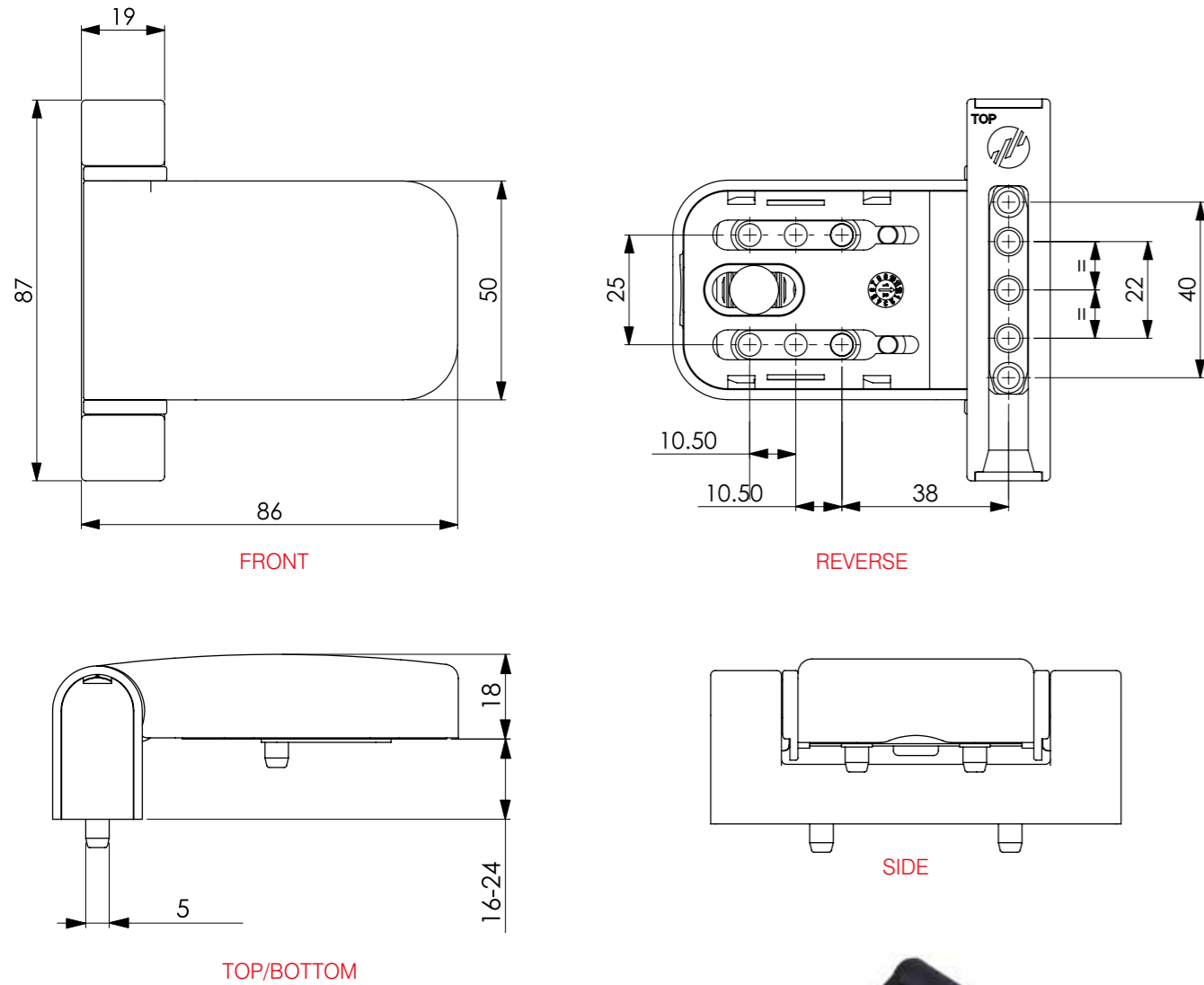


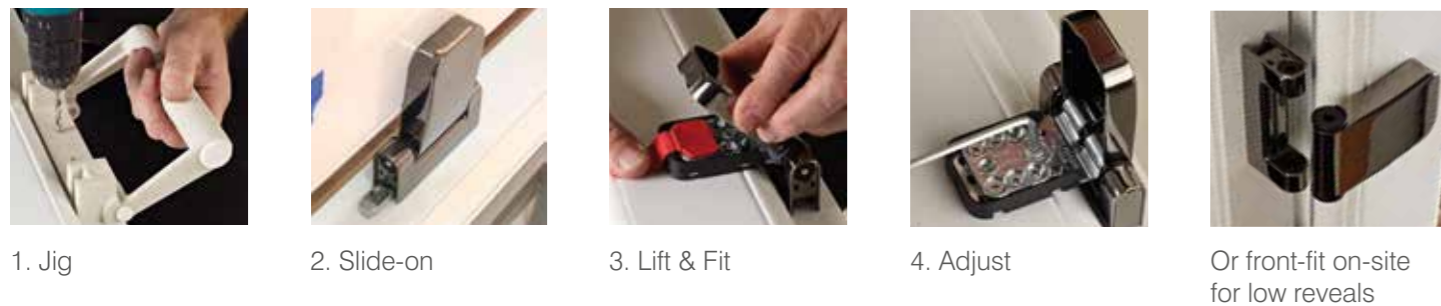
TECHNICAL DRAWINGS



ProSecure Hinge Jig



FITTED IN 4 STEPS & UNDER 58 SECONDS



PART NUMBERS

	Rebate	Polished Gold	Polished Chrome	Brushed Satin Chrome	Smokey Chrome	Light Black	White	Oak	Brown
ProSecure Door Hinge	17mm	026022	026024	026026	026027	026025	026020	026023	026021
ProSecure Door Hinge	18mm	026042	026044	026046	026047	026045	026040	026043	026041
ProSecure Door Hinge	19mm	026062	026064	026066	026067	026065	026060	026063	026061
ProSecure Door Hinge	20mm	026082	026084	026086	026087	026085	026080	026083	026081
ProSecure Door Hinge	21mm	026102	026104	026106	026107	026105	026100	026103	026101
ProSecure Door Hinge	22mm	026122	026124	026126	026127	026125	026120	026123	026121
ProSecure Door Hinge	23mm	026142	026144	026146	026147	026145	026140	026143	026141
ProSecure Door Hinge	24mm	026162	026164	026166	026167	026165	026160	026163	026161

	Rebate	Chartwell Green	Anthracite Grey	Silk Grey	Cement Grey	Cream
ProSecure Door Hinge	16mm	026008	026009	026 010	026011	026012
ProSecure Door Hinge	17mm	026028	026029	026030	026031	026032
ProSecure Door Hinge	18mm	026048	026049	026050	026051	026052
ProSecure Door Hinge	19mm	026068	026069	026070	026071	026072
ProSecure Door Hinge	20mm	026088	026089	026090	026091	026092
ProSecure Door Hinge	21mm	026108	026109	026110	026111	026112
ProSecure Door Hinge	22mm	026128	026129	026130	026131	026132
ProSecure Door Hinge	23mm	026148	026149	026150	026151	026152
ProSecure Door Hinge	24mm	026168	026169	026170	026171	026172

Jig	026900
-----	--------

GUARANTEES & ACCREDITATIONS

Designed to achieve:

- Secured by Design - Police Preferred Specification
- PAS 24:2012 (enhanced security performance)
- BSEN 1670:2007 Grade 5 (exceptionally high corrosion resistance)
- BSEN 1935:2002 Grade 12 (extreme durability achieving 200,000 cycles under load)



25 years Mechanical Guarantee
10 years Surface Finish (powder coated) Guarantee
5 years Surface Finish (plated) Guarantee

ProSecure Door Hinge

Faster to fit than any other hinge
From the box to fitted in under 58 seconds



- The only hinge supplied in one piece, ready-to-fit straight from the box
- 2 installation options:
Glider technology allows the hinge to slide straight onto the frame in one complete piece. Or, for low reveals, simply remove the pin to front-fit
- Patented front adjustment method is fast not fiddly
- Virtually jigless, only 2 holes to pre-drill
- Designed to achieve the extreme performance requirements of BSEN1935:2002 Grade 12
- Police Preferred Specification

PROSECURE HIGH SECURITY DOOR HINGE

FASTER TO FIT THAN ANY OTHER DOOR HINGE

The ProSecure door hinge is the only door hinge supplied in one piece, ready-to-fit straight from the box.

TWO INSTALLATION OPTIONS

Mila's Glider technology allows the whole hinge to slide directly onto the frame. Or, for low reveals, simply remove the steel pin and front-fit the hinge.

VIRTUALLY JIGLESS

Minimal preparation is required - only two holes need to be pre-drilled on the frame.

The hinge lid is held cleverly captive, pivoting open and closed. Lift the lid to screw the concealed fixing datum directly to the sash in seconds.

PATENTED FRONT ADJUSTMENT METHOD

+/- 5mm lateral adjustment can be achieved from the front of the hinge, with 90° rotation of a 4mm Allen key, which can then 'locked' into place to prevent adjustment creep. Vertical (+5mm) and compression (+/-1mm) adjustment can also be achieved from the top of the hinge for full 3D refinement.

INTELLIGENT ACCESSORIES

The hinge is supplied with optional loose fixings lugs enabling you to choose where to fit them depending on what profile you are using for optimum installation.

Static-cling TechTape protects the hinge lid during fabrication and installation.

A removable rubber tongue ensures that the hinge lid remains open until installation is complete.

13 COLOUR OPTIONS

The ProSecure door hinge is available in 8 suited colours and a further 5 profile colour-matched options are also available including Chartwell Green, Anthracite Grey, Silk Grey, Cement Grey and Cream.

EXTREME PERFORMANCE TESTED

The hinge has been independently tested to the enhanced security requirements of PAS 024:2012, extreme corrosion resistance tested to BSEN1670:2007 grade 5 and tested to BSEN1935: 2002 grade 12 - achieving 200,000 cycles under 100kg load for extreme operational reliability.

Two hinges will easily carry a 100kg sash.

The hinge is a Police Preferred Specification product and is Secured by Design accredited.

**FREE TIME
WITH EVERY HINGE**



AT A GLANCE

The Only Hinge Supplied Fully Assembled in One Piece
ready-to-fit straight from the box

Faster Than Any Other Hinge

Proven to be faster to fit than other security hinges in time trials under test conditions

2 Installation Options

Slide-on or front-fit - the choice is yours

Glider Technology

Fix the Glider to the frame, then simply slide the whole hinge onto it - fast, simple

Front-Fit

The hinge can be fitted from the front too - simply remove the steel hinge pin. Perfect for low reveals

Virtually Jigless

Only 2 holes to pre-drill

Captive Hinge Lid

Pivots open & closed for fast, easy installation

Extreme Performance

Designed to achieve:

- BSEN 1670:2007 Grade 5 (extreme corrosion resistance)
- BSEN 1935:2002 Grade 12 (extreme durability achieving 200,000 cycles under load)
- PAS 24:2014 (enhanced security)
- Secured by Design



Patented Adjustment

Our patented front adjustment method is fast not fiddly! Rotate your Allen key 90° to achieve +/-5mm lateral adjustment

Rubber Tongue

Ensures the hinge lid remains open until installation is complete



8 SUITED COLOUR OPTIONS



Polished Gold



Polished Chrome



Brushed Satin Chrome



Smokey Chrome



Black



White



Light Oak



Brown

5 PROFILE MATCHED COLOURS



Chartwell Green



Anthracite Grey



Silk Grey



Cement Grey



Cream

