



Window Handles

Hardware By Professionals | For Professionals

Window Handle Contents

	Page No.	Type			Style		Options		Accreditations		Finishes				
		Espag	Cockspur/ Cockspag	TBT	Inline	Cranked	Locking	Non-Locking	Secured By Design	BBA Approved	Chrome	Gold	Silver (F1)	Black	White
Pro-Linea Cranked Espag Handle	71	■				■					■	■			■
Trinity Cranked Espag Handle	73	■				■	■			■	■	■			■
Trinity Inline Espag Handle	75	■			■		■	■	■	■	■	■			■
Ideal Cranked Espag Handle	77	■				■	■	■	■	■	■	■			■
Ideal Inline Espag Handle	79	■			■		■	■		■	■	■			■
Fearless Cockspur Handle	81		■			■					■	■			■
Tacto Cockspur Handle	83		■			■					F3	■	■		■
Trinity TBT Handle	85			■						■	■	■	■		■
Hoppe TBT Handle	87			■							■	■			■

Types of window handle available:

Cockspur Handle: the most basic type of window handle. The handle “nose” secures over a wedge on the frame to seal and secure the window.

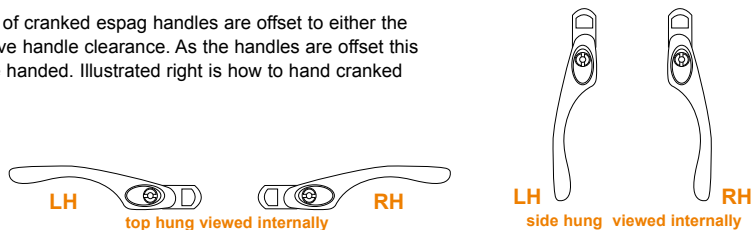
TBT Handle: a window handle designed specifically for tilt before turn (TBT) or turn-first (TNT) windows. Operates in 3 distinct modes: Closed position, Tilt position and Turn position.

Espag Handle: a window handle that drives a square spindle to operate an espagnolette or shootbolt locking system. These are the most common type of window handle currently fitted to PVCU windows.

Inline & Cranked espag handles:

Inline: as it's name suggests this type of handle design is straight or “inline”

Cranked: the levers of cranked espag handles are offset to either the left or right to improve handle clearance. As the handles are offset this means that they are handed. Illustrated right is how to hand cranked espag handles:



Locking & Non-locking espag handles:

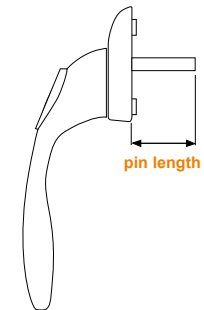
Standard espag handles are push-to-operate and key-to-deadlock. This means that you push the cylinder button to operate the handle and can lock it, in the closed position, for security. For use on emergency egress windows, or where security is not an issue, non-locking handles are also available.

Espag handle pin lengths:

The espag handle pin length required will usually be dictated by the profile system being fabricated - consult your profile system manual for details of recommended pin lengths. Alternatively contact the Mila Technical team on 01327 707 300.

To measure the pin length of an existing handle, shown right, measure from the base of the rose to the end of the spindle.

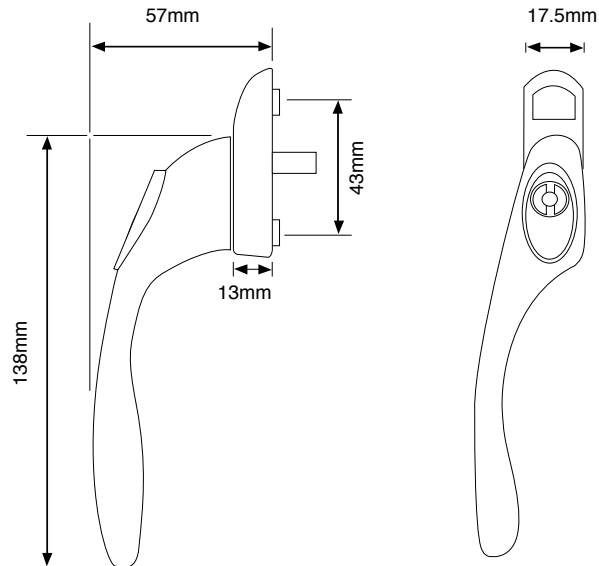
Pin lengths generally range from 9-55mm.



Technical Data

Pin Lengths (mm)	9, 12, 15, 20, 25, 30, 43, 55
Type	Cranked
Finishes	White, gold, chrome
Box Quantity	20

Technical Drawings



Pro-Linea Espag Handle

The Pro-Linea espagnolette handle is a stylish, high specification, push-to-operate, key-to-deadlock handle. Available in a range of finishes, its soft lines perfectly complement the chamfered appearance of modern profile systems.

- : Cranked right and left for improved handle clearance
- : Push-to-operate provides child safety, key-to-deadlock to enhance security
- : Non-locking and green button egress handles available
- : 90° stop to prevent gearbox over-stressing
- : Ergonomic design for optimum comfort and ease of operation
- : Available in a range of pin sizes to suit all major profile systems
- : Available in a range of high quality finishes
- : Secured By Design licensed product



Part Numbers

Description	Pin Length (mm)	Hand	White	Gold	Chrome
Pro-Linea Locking	9	Right	054400*	054420*	054440*
Pro-Linea Locking	9	Left	054401*	054421*	054441*
Pro-Linea Locking	12	Right	054402	054422	054442
Pro-Linea Locking	12	Left	054403	054423	054443
Pro-Linea Locking	15	Right	054404	054424	054444
Pro-Linea Locking	15	Left	054405	054425	054445
Pro-Linea Locking	20	Right	054406	054426	054446
Pro-Linea Locking	20	Left	054407	054427	054447
Pro-Linea Locking	25	Right	054410	054430	054450
Pro-Linea Locking	25	Left	054411	054431	054451
Pro-Linea Locking	30	Right	054412	054432	054452
Pro-Linea Locking	30	Left	054413	054433	054453
Pro-Linea Locking	43	Right	054414	054434	054454
Pro-Linea Locking	43	Left	054415	054435	054455
Pro-Linea Locking	55	Right	054416*	054436*	054456*
Pro-Linea Locking	55	Left	054417*	054437*	054457*

*Special Order Items

Non-Locking and Green Button Egress handles are also available. Please contact the Mila sales department on 01327 312 400 for further details.

Guarantees & Accreditations

Mechanical Guarantee	10 years	SBD Product	Yes
Labour Guarantee	2 years		

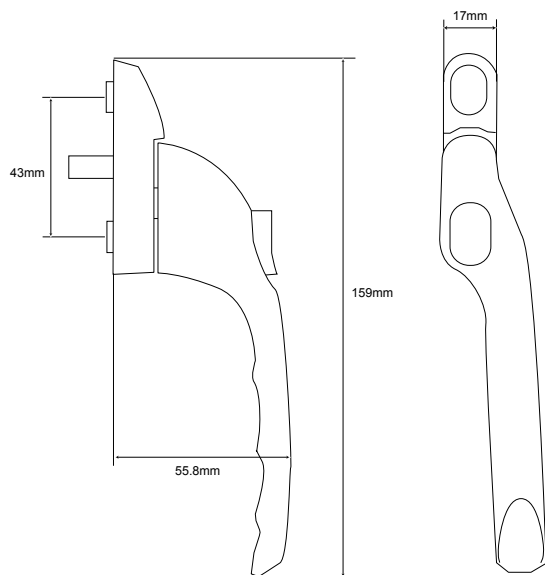


to place your order simply call our sales team direct on 01327 312 400

Technical Data

Pin Lengths (mm)	12, 15, 20, 30, 43
Type	Cranked
Finishes	White, gold, chrome
Box Quantity	20

Technical Drawings



Guarantees & Accreditations

Mechanical Guarantee	5 years	BBA Approved	Yes
Labour Guarantee	2 years	SBD Product	Yes



Report No. 2520

Trinity Cranked Espag Handle

The stylish Trinity cranked espag handle is for use on casement windows and has been designed to suite with other items in the MILA Trinity range of window and door furniture.

- ▄ Cranked handle provides improved hand clearance
- ▄ Push-to-operate to provide child safety, key-to-deadlock to enhance security
- ▄ Non-locking and green button egress handles available
- ▄ 90° stop to prevent gearbox over-stressing
- ▄ Brass and chrome finish handles supplied with metallised colour matched screw covers
- ▄ Spare cover caps available. See part numbers on page 75 or contact the Mila sales team on 01327 312 400.
- ▄ Available in a range of high quality finishes
- ▄ Secured By Design licensed product



Part Numbers

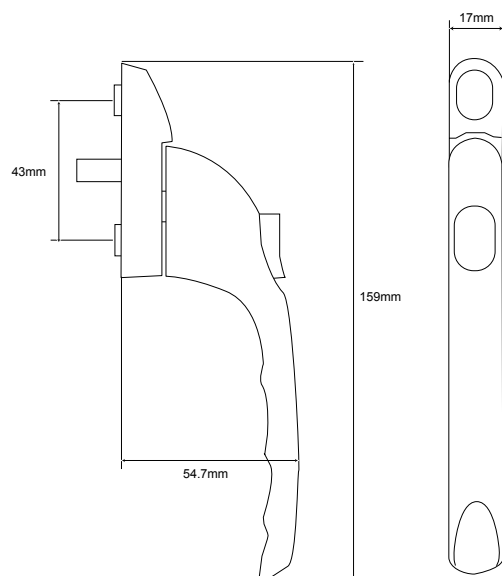
Description	Pin Length (mm)	Hand	White	Gold	Chrome
Trinity Cranked Locking	12	Right	053802	053862*	053922*
Trinity Cranked Locking	12	Left	053803	053863*	053923*
Trinity Cranked Locking	15	Right	053804	053864	053924
Trinity Cranked Locking	15	Left	053805	053865	053925
Trinity Cranked Locking	20	Right	053808	053868	053928
Trinity Cranked Locking	20	Left	053809	053869	053929
Trinity Cranked Locking	30	Right	053814	053874	053934
Trinity Cranked Locking	30	Left	053815	053875	053935
Trinity Cranked Locking	43	Right	053818	053878	053938
Trinity Cranked Locking	43	Left	053819	053879	053939
			White	Gold	Chrome
Trinity Cranked Non-Locking	12	Right	053982*	054042*	054102*
Trinity Cranked Non-Locking	12	Left	053983*	054043*	054103*
Trinity Cranked Non-Locking	15	Right	053984*	054044*	054104*
Trinity Cranked Non-Locking	15	Left	053985*	054045*	054105*
Trinity Cranked Non-Locking	20	Right	053988*	054048*	054108*
Trinity Cranked Non-Locking	20	Left	053989*	054049*	054109*
Trinity Cranked Non-Locking	30	Right	053994	054054*	054114*
Trinity Cranked Non-Locking	30	Left	053995	054055*	054115*
Trinity Cranked Non-Locking	43	Right	053998	054058	054118
Trinity Cranked Non-Locking	43	Left	053999	054059	054119
			White	Gold	Chrome
Trinity Non-Locking Egress	15	Right	054164*	054224*	054284*
Trinity Non-Locking Egress	15	Left	054165*	054225*	054285*
Trinity Non-Locking Egress	20	Right	054168	054228*	054288*
Trinity Non-Locking Egress	20	Left	054169	054229*	054289*
Trinity Non-Locking Egress	30	Right	054174	054234	054294*
Trinity Non-Locking Egress	30	Left	054175	054235	054295*
Trinity Non-Locking Egress	43	Right	054178	054238	054298
Trinity Non-Locking Egress	43	Left	054179	054239	054299

* Special order only

Technical Data

Pin Lengths (mm)	12, 15, 20, 30, 43
Type	Inline
Finishes	White, gold, chrome
Box Quantity	20

Technical Drawings



Trinity Inline Espag Handle

The stylish Trinity inline espag handle is for use on casement windows and has been designed to suite with other items in the MILA Trinity range of window and door furniture.

- : Push-to-operate to provide child safety, key-to-deadlock to enhance security
- : Non-locking and green button egress handles available
- : 90° stop to prevent gearbox over-stressing
- : Brass and chrome finish handles supplied with metallised colour matched screw covers
- : Available in a range of high quality finishes
- : Secured By Design licensed product



Part Numbers

Description	Pin Length (mm)	White	Gold	Chrome
Trinity Locking	12	053401	053441*	053481
Trinity Locking	15	053402	053442	053482
Trinity Locking	20	053404	053444	053484
Trinity Locking	30	053407	053447	053487
Trinity Locking	43	053410	053450	053490
		White	Gold	Chrome
Trinity Non-Locking	12	053521*	053561*	053601*
Trinity Non-Locking	15	053522*	053562	053602*
Trinity Non-Locking	20	053524*	053564*	053604*
Trinity Non-Locking	30	053527	053567	053607
Trinity Non-Locking	43	053530	053570	053610
		White	Gold	Chrome
Trinity Non-Locking Egress	15	053642	053682*	053722
Trinity Non-Locking Egress	20	053644*	053684*	053724*
Trinity Non-Locking Egress	30	053647	053687	053727
Trinity Non-Locking Egress	43	053650	053690	053730

* Special order only

Spares	Part No.
Covers - White	054380
Covers - Brass	054381

Guarantees & Accreditations

Mechanical Guarantee	5 years	BBA Approved	Yes
Labour Guarantee	2 years	SBD Product	Yes

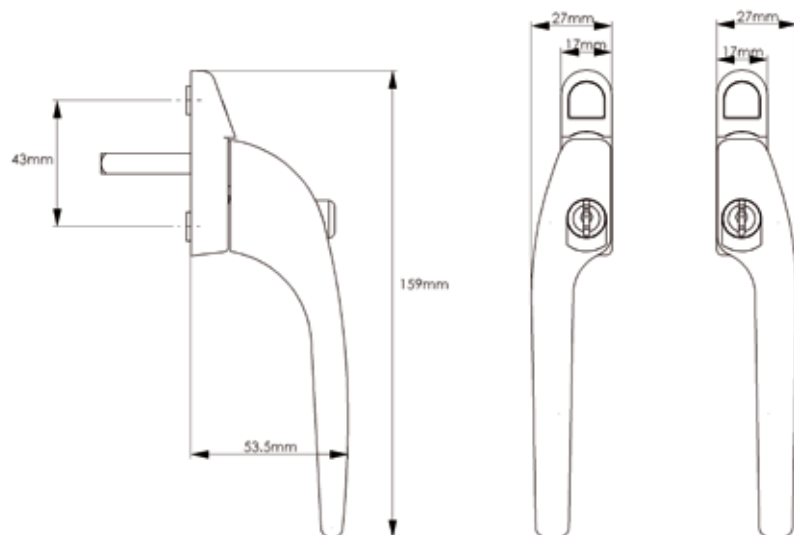


to place your order simply call our sales team direct on 01327 312 400

Technical Data

Pin Lengths (mm)	9, 15, 20, 25, 30, 43, 55
Type	Cranked
Finishes	White, gold, chrome
Box Quantity	20

Technical Drawings



Guarantees & Accreditations

Mechanical Guarantee	5 years
Labour Guarantee	2 years

Ideal Cranked Espag Handle

The Ideal solutions in life are often the simplest. In terms of hardware this means a simple combination of style, form, and function. Taking these ideals Mila have developed a range of contemporary espag handles. Available in a range of finishes, including white, gold and chrome. There is an Ideal solution for every window.

- Cranked handle provides improved hand clearance
- Push-to-operate provides child safety requirements, key-to-deadlock provides enhanced security
- Non-locking and green button egress handles available
- 90° stop to prevent gearbox over-stressing
- Proven reliability; successfully tested to 30,000 cycles
- Available in a range of stylish finishes with matching screw covers



Part Numbers

Description	Pin Length (mm)	Hand	White	Gold	Chrome
Ideal Cranked Locking	9	Right	055710	055730	055750
Ideal Cranked Locking	9	Left	055711	055731	055751
Ideal Cranked Locking	15	Right	055714	055734	055754
Ideal Cranked Locking	15	Left	055715	055735	055755
Ideal Cranked Locking	20	Right	055716	055736	055756
Ideal Cranked Locking	20	Left	055717	055737	055757
Ideal Cranked Locking	25	Right	055720	055740*	055760*
Ideal Cranked Locking	25	Left	055721	055741*	055761*
Ideal Cranked Locking	30	Right	055722	055742	055762
Ideal Cranked Locking	30	Left	055723	055743	055763
Ideal Cranked Locking	43	Right	055724	055744	055764
Ideal Cranked Locking	43	Left	055725	055745	055765
Ideal Cranked Locking	55	Right	055726	055746	055766
Ideal Cranked Locking	55	Left	055727	055747	055767
Ideal Cranked Non-Locking	20	Right	055796	055816	055836
Ideal Cranked Non-Locking	20	Left	055797	055817	055837
Ideal Cranked Non-Locking	30	Right	055802	055822	055842
Ideal Cranked Non-Locking	30	Left	055803	055823	055843
Ideal Cranked Non-Locking	43	Right	055804	055824	055844
Ideal Cranked Non-Locking	43	Left	055805	055825	055845
Ideal Cranked Egress	20	Right	055876	055896	055916
Ideal Cranked Egress	20	Left	055877	055897	055917*
Ideal Cranked Egress	30	Right	055882	055902	055922*
Ideal Cranked Egress	30	Left	055883	055903	055923
Ideal Cranked Egress	43	Right	055884	055904	055924
Ideal Cranked Egress	43	Left	055885	055905	055925

*Special Order Items

to place your order simply call our sales team direct on 01327 312 400

Technical Data

Pin Lengths (mm)	9, 12, 15, 20, 25, 30, 43, 55
Type	Inline
Finishes	White, gold, chrome
Box Quantity	20

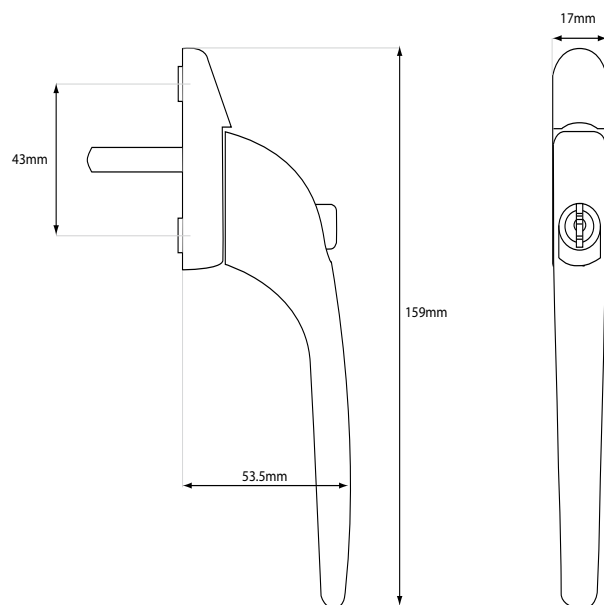
Ideal Inline Espag Handle

The Ideal solutions in life are often the simplest. In terms of hardware this means a simple combination of style, form, and function. Taking these ideals Mila have developed a range of contemporary espag handles. Available in a range of finishes, including white, gold and chrome.

- Push-to-operate to provide child safety, key-to-deadlock to enhance security
- Non-locking and green button egress handles available
- 90° stop to prevent gearbox over-stressing
- Proven reliability; successfully tested to 30,000 cycles
- Available in a range of stylish finishes with matching screw covers



Technical Drawings



Part Numbers

Description	Pin Length (mm)	White	Gold	Chrome
Ideal Inline Locking	9	055600	055610	055620
Ideal Inline Locking	12	055601	055611	055621
Ideal Inline Locking	15	055602	055612	055622
Ideal Inline Locking	20	055603	055613	055623
Ideal Inline Locking	25	055605	055615	055625
Ideal Inline Locking	30	055606	055616	055626
Ideal Inline Locking	43	055608	055618	055628
Ideal Inline Locking	55	055609	055619	055629
Ideal Inline Non-Locking	9	055640	055650	055660
Ideal Inline Non-Locking	12	055641	055651	055661
Ideal Inline Non-Locking	15	055642	055652	055662
Ideal Inline Non-Locking	20	055643	055653	055663
Ideal Inline Non-Locking	25	055645	055655	055665
Ideal Inline Non-Locking	30	055646	055656	055666
Ideal Inline Non-Locking	43	055647	055657	055667
Ideal Inline Non-Locking	55	055648	055658	055668
		White	Gold	Chrome
Ideal Inline Egress	9	055680	055690	055700
Ideal Inline Egress	12	055681	055691	055701
Ideal Inline Egress	15	055682	055692	055702
Ideal Inline Egress	20	055683	055693	055703
Ideal Inline Egress	25	055685	055695	055705
Ideal Inline Egress	30	055686	055696	055706
Ideal Inline Egress	43	055687	055697	055707
Ideal Inline Egress	55	055688	055698	055708

Guarantees & Accreditations

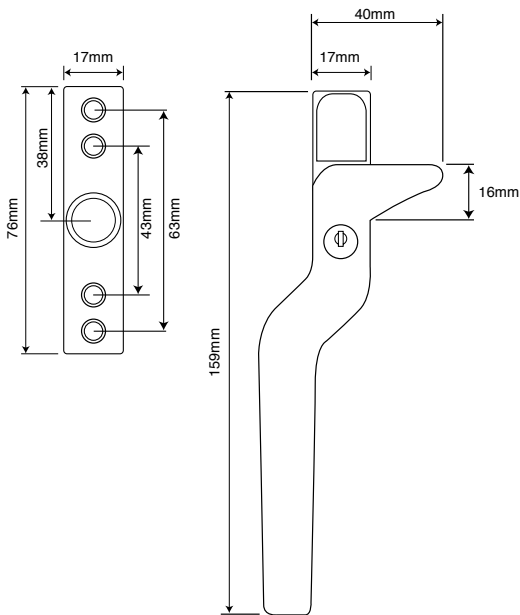
Mechanical Guarantee	5 years
Labour Guarantee	2 years

to place your order simply call our sales team direct on 01327 312 400

Technical Data

Wedges (mm)	1 & 2
Type	Cockspur
Finishes	Gold, white
Material Specification:	
Zinc Components	Zinc alloy "3.1.B" conforms EN 10204
Steel Components	Mico steel EN 10201 - 3.1.B
Plastic Components	POM nylon 66
Box Quantity	20

Technical Drawings



Fearless Cockspur Handle

Enhanced security, key locking cockspur handle for slim section PVCU profiles. Can also be used as a "cockspag" handle through the addition of a spindle.

- Cranked handle allows for improved handle clearance
- Key locking
- Screw covers available for concealed fixing
- 1mm & 2mm wedges available to suit a range of profiles - contact the Mila sales team on 01327 312 400 for further information
- Specially designed wedge available to suit the ovulo on Deceuninck decorative casement profiles (outer frame nos. 1803 & 1840)
- Available in white or gold finish
- BBA approved product



Part Numbers

Description	Hand	White	Gold
Cockspur Handle	Right	058320	058330
Cockspur Handle	Left	058321	058331
	Size (mm)	White	Black
Cockspur Wedge	1	058380	058385
Cockspur Wedge	2	058381	058386
Cockspur Wedge Deceuninck	-	170685	-

Guarantees & Accreditations

Mechanical Guarantee
Labour Guarantee

5 years
2 years

BBA Approved Yes



Report No. 1735

to place your order simply call our sales team direct on **01327 312 400**

Technical Data

Type Cockspur

Tacto Cockspur Handle

- Stylish inline cockspur handle for casement windows.
- Locking and non-locking versions available
- Screw covers available for concealed fixing
- Wedges available to suit a range of profiles
- Available in a range of attractive finishes
- Contact the Mila sales team on 01327 312 400 to place your order



Guarantees & Accreditations

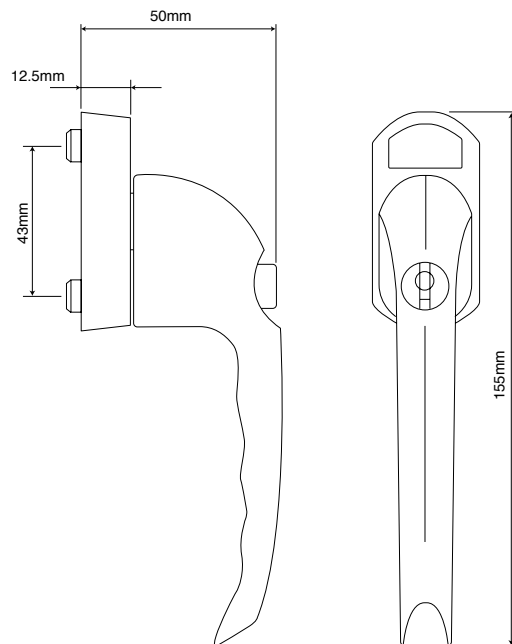
Mechanical Guarantee 5 years
Labour Guarantee 2 years

to place your order simply call our sales team direct on 01327 312 400

Technical Data

Type	TBT/TNT
Finishes	Chrome, gold, satin silver, black, white
Material Specification:	
Handle & Base	Zinc ZL3
Finish	Electroplated clearclad LCX electrophoretic lacquer Powdercoating synthi pulvina
Spring	Steel to BS 5216 ND3
Steel Pressing	Steel EN6
Plate & Locking Barrel	Zinc ZL3, plated to BS 1706 - clear passivate
Spindle	Steel EN1A, plated to BS 1706 - clear passivate
Box Quantity	25

Technical Drawing



Trinity TBT Handle

Stylish key-locking handle that can be used on both TBT and TNT applications. The handle has been designed to suite with other items in the Mila Trinity range of window and door furniture.

- Lockable in all positions to enhance window safety and security
- Positive handle engagement in all four positions at 90° intervals
- Handle rose is equipped with studs for improved location
- Supplied with 2 screw cover caps
- 7 x 7 x 38mm spindle to suit all major profiles
- Available in a range of attractive finishes



Part Numbers

Description	Size (mm)	Chrome	Gold	Satin Silver	Black	White
Trinity TBT Handle	38	056980	056981	056985	056983	056984
Trinity TBT Handle	43	057000	057001*	-	057003*	057004
Spare Screw Cover	-	-	-	-	057041	057040
		* Special order only				
		Part No.				
Spare Key	057042					

Guarantees & Accreditations

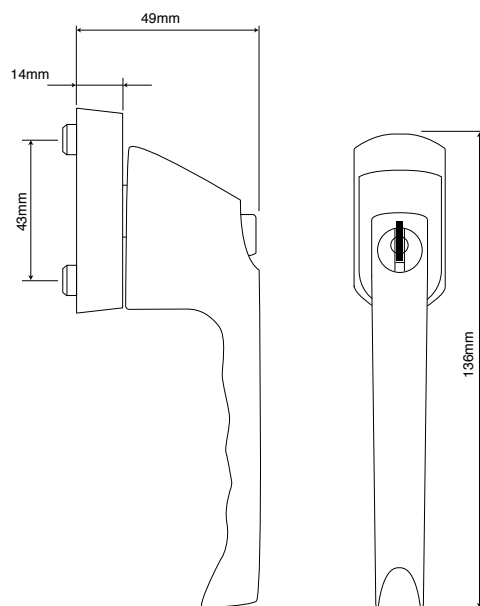
Mechanical Guarantee	10 years
Labour Guarantee	2 years

to place your order simply call our sales team direct on 01327 312 400

Technical Data

Type	Inline - TBT, TNT
Finishes	Silver (F1), gold (F3), white, brown
Box Quantity	40

Technical Drawing



Non-locking handle

Hoppe TBT Handle

Key locking and non-locking handle for use on TBT windows.

- Handle only lockable in closed position - locking version only
- In operation the handle engages in four positions at 90° intervals
- Aluminium swivel cover plate to conceal screw fixings
- 7 x 7 x 32mm spindle



Part Numbers

Description	Silver F1	Gold F3	White	Brown
Hoppe TBT Handle - Locking	232450H	232456H	232460H	232462H*
Hoppe TBT Handle - Non - Locking	232000H	232006H	232010H	232012H*

* Special order only

Guarantees & Accreditations

Mechanical Guarantee	5 years
Labour Guarantee	2 years

to place your order simply call our sales team direct on 01327 312 400