



Ventilation

Hardware By Professionals | For Professionals

Ventilation Selection & Contents

Approved Document F (Means of Ventilation) of the Building Regulations was updated on October 1st 2006. The main change to Document F was that replaced *free area* for the sizing of background ventilators.

Ventilation requirements for replacement windows:

Document F states that for replacement windows (where the original window had vents fitted) they should be replaced with windows with vents providing the following equivalent area:

Habitable rooms: 5000mm² equivalent area

Kitchen, utility room and bathroom: 2500mm² equivalent area

The Approved Document also states that the ventilation should be controllable, while for ease of identification by building control officers the equivalent area should be clearly marked on each vent.

Ventilation requirements for windows in new build:

For new build the regulations are more demanding, with the equivalent area requirement being calculated depending on total floor area and number of bedrooms as per the table below:

	No. of Bedrooms				
	One	Two	Three	Four	Five
< 50 Total Floor Area (m ²)	25,000	35,000	45,000	45,000	55,000
51 - 60 Total Floor Area (m ²)	25,000	35,000	40,000	45,000	55,000
61 - 70 Total Floor Area (m ²)	30,000	30,000	30,000	45,000	55,000
71 - 80 Total Floor Area (m ²)	35,000	35,000	35,000	45,000	55,000
81 - 90 Total Floor Area (m ²)	40,000	40,000	40,000	45,000	55,000
91 - 100 Total Floor Area (m ²)	45,000	45,000	45,000	45,000	55,000
> 100 Total Floor Area (m ²)	Add 500mm ² for every additional 10m ² floor area				

Types of vents available:

Trickle/slot vents: surface mounted vents where ventilation is achieved through routing a slot in the window frame or through an overhead section.

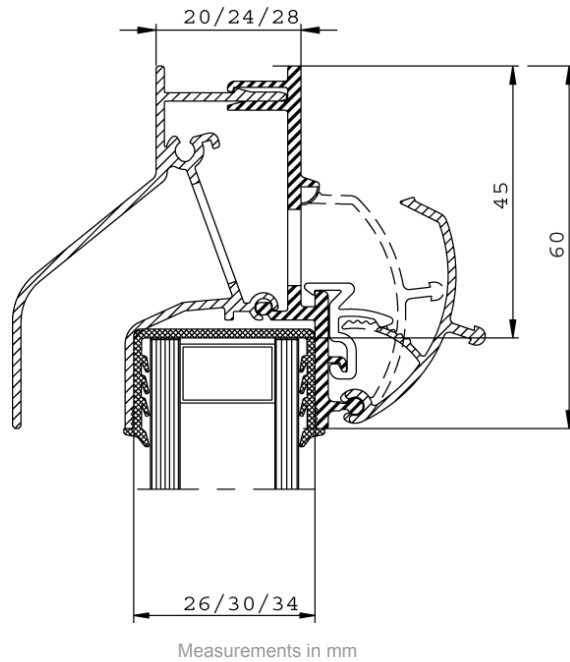
Glazed-in vents: as their name suggests glazed-in vents are glazed-in above or into the sash. The main information required when ordering glazed-in vents is the glazing thickness (usually 20, 24 or 28mm) and overall vent length.

	Page No.	Type			
		Glazed-In	Slot Vent	Conservatory	Active Ventilation
Glazed-In Vent - Controllable	93	■			
Glazed-In Vent - Permanent	95	■			
Trinity Trickle Vent	97		■		
Aerostar	99			■	
Aeropac	100				■
Aerovital	101				■

Technical Data

Type	Glazed-in
Material Specification:	
Extruded Aluminium	Alloy AlmgSi 05 to DIN 1748
End Caps	ABS

Technical Drawing



Glazed-In Vent Controllable

Thermally broken aluminium glazed-in ventilator with 45mm glass reduction.

- Canopy style external profile is punched and forms an insect mesh
- Controllable operating mechanism provides fine control of air
- Lever or rod operation
- Suitable for PVCU, timber and aluminium
- Available made to measure in a wide range of standard finishes
- Twin colours available
- Suits 20, 24 & 28mm glazing thicknesses
- Glass reduction height: 45mm
- Product performance: 9671mm² equivalent area per lm (1pa)
- Please call the Mila sales team on 01327 312 400 to order this product.



Guarantees & Accreditations

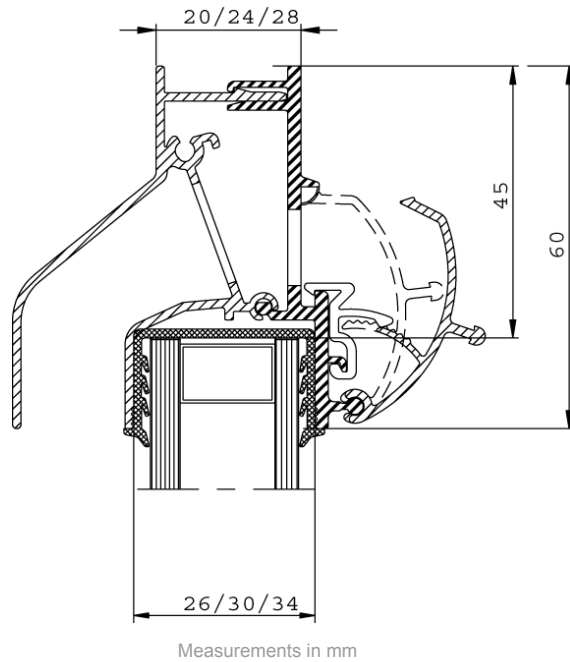
Mechanical Guarantee	5 years
Labour Guarantee	2 years

to place your order simply call our sales team direct on 01327 312 400

Technical Data

Type	Glazed-in
Material Specification:	
Extruded Aluminium	Alloy AlmgSi 05 to DIN 1748
End Caps	ABS

Technical Drawing



Glazed-In Vent Permanent

Thermally broken aluminium glazed-in ventilator with 45mm glass reduction.

- Canopy style external profile is punched and forms an insect mesh
- Fixed/permanent ventilation
- Suitable for PVCU, timber and aluminium
- Available made to measure in a wide range of standard finishes
- Twin colours available
- Suits 20, 24 & 28mm glazing thicknesses
- Glass reduction height: 45mm
- Product performance: 9671mm² equivalent area per lm (1pa)
- Please call the Mila sales team on 01327 312 400 to order this product.



Guarantees & Accreditations

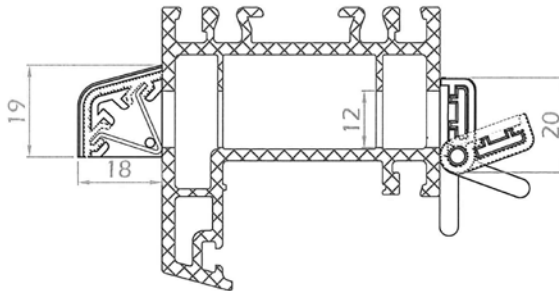
Mechanical Guarantee	5 years
Labour Guarantee	2 years

to place your order simply call our sales team direct on 01327 312 400

Technical Data

Type	Slot Vent
Material Specification:	
Extruded Aluminium	Alloy AlmgSi 05
Thermal Rupture	Hard PVC
Adjustable Vavle	PVC/PPE co-extrusion
Ends	Injected in black or white ABS

Technical Drawing



Trinity Trickle Vent

Trinity Trickle Vents are manufactured from aluminium extrusion and have been designed to meet the requirements of Approved Document F - Means of Ventilation (2006).

- Through frame trickle vent
- Designed to meet requirements of Approved Document F (2006)
- 12mm slot
- Two lengths; 385mm & 725mm
- Equivalent area clearly marked on each vent
- Available as standard in white, brown or light oak finish
- Further RAL colours and colour combinations are available to special order



Part Numbers

Description	Finish	Slot (mm)	Overall Length (mm)	Equivalent Area (mm ²)	Part No.
Trinity Trickle Vent	White	12	385	2500	118040
Trinity Trickle Vent	Brown	12	385	2500	118041
Trinity Trickle Vent	Light Oak	12	385	2500	118043
Trinity Trickle Vent	White	12	725	5000	118050
Trinity Trickle Vent	Brown	12	725	5000	118051
Trinity Trickle Vent	Light Oak	12	725	5000	118053

Guarantees & Accreditations

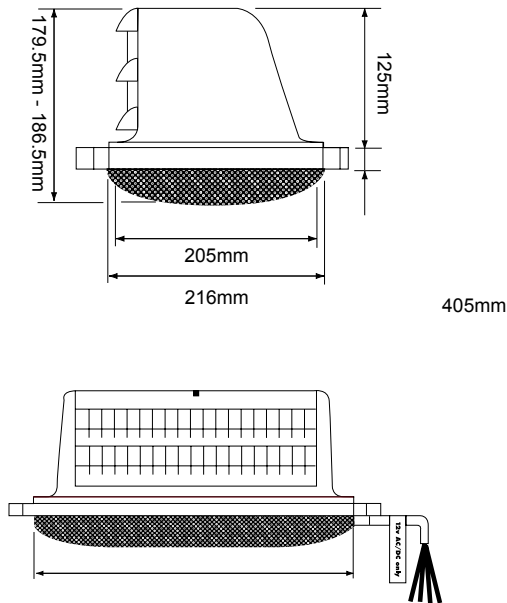
Mechanical Guarantee	5 years
Labour Guarantee	2 years

to place your order simply call our sales team direct on 01327 312 400

Technical Data

Type	Conservatory
Finishes	White/white, brown/brown
Aerostar Roof Ventilator includes:	Ventilator, switch, surface mount box, transformer, template and wiring diagram.
Installation - Alternative Option:	Glazing panel (1000mm x 400mm) can be reduced in size to a minimum of 500mm x 270mm
	Panel size: standard 1000mm x 400mm x 24mm
	Alternative: 1250mm x 400mm x 24mm

Technical Drawings

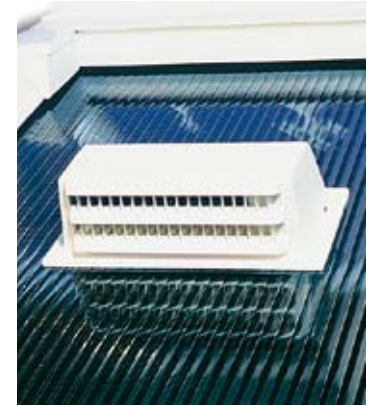


Aerostar Conservatory Vent

The Aerostar is a powerful but discreet ventilation unit. It has been designed specifically for use in conservatory roofs to dramatically improve comfort by reducing temperature and humidity levels.

An economical and more effective alternative to rooflights, the Aerostar is easily installed into new or existing roof panels, using a template and simple to follow wiring diagram. The compact, discreet design of the unit complements the external appearance of the conservatory and, as the main housing is externally mounted, there is no intrusion into the internal space.

- Active ventilation through a powerful low energy 12 volt 2-speed centrifugal fan
- Significantly more effective than passive rooflights that rely purely on ambient airflow



Part Numbers

Description

Aerostar Conservatory Vent
Aerostar Conservatory Vent

* Special order only

Finish	Part No..
White/White	430012*
Brown/Brown	430018*

Guarantees & Accreditations

Mechanical Guarantee	5 years
Labour Guarantee	2 years

to place your order simply call our sales team direct on 01327 312 400

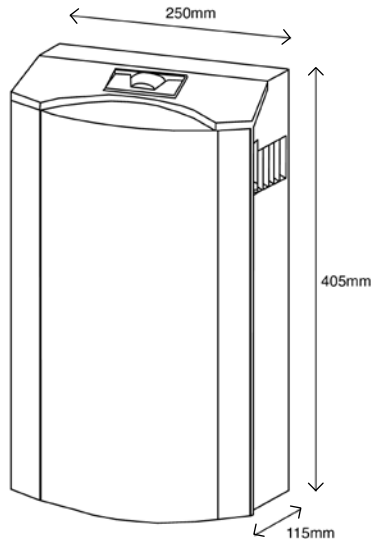
Aeropac Vent

- Ventilation for living rooms and bedrooms with simultaneous noise reduction
- The air can be directed left/right or in both directions by two independent controls
- Fitted internally to an external wall

This is a special order item, please call the Mila sales team on 01327 312 400



Technical Drawing



Guarantees & Accreditations

Mechanical Guarantee	5 years
Labour Guarantee	2 years

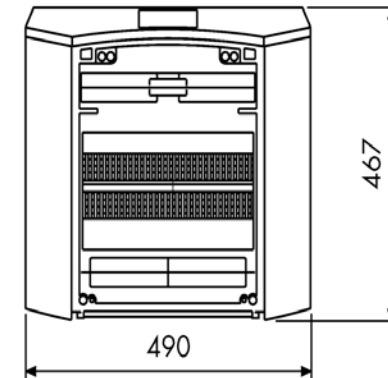
Aerovital Vent

- Extremely quiet but powerful ventilation for bedrooms, bathrooms and living rooms
- Massive reduction in noise pollution: high level sound insulation inside the ventilator absorbs unhealthy and disturbing traffic noise
- Efficient heat recovery: more than 50% of the heat energy can be transferred to the fresh air flow through the heat exchanger
- No unpleasant draught: when the ventilation system is switched off, all air ways are automatically closed

This is a special order item, please call the Mila sales team 01327 312 400



Technical Drawing



Guarantees & Accreditations

Mechanical Guarantee	5 years
Labour Guarantee	2 years

to place your order simply call our sales team direct on 01327 312 400