

Restrictor Catch

Spring loaded safety and security catch for outwards and inwards opening windows.

- Gives up to a maximum of 50mm opening providing an element of ventilation and child safety
- For easy release from secured position pull window back and hold the spring loaded arm to release catch
- Catch automatically engages studplate upon closing



Part Numbers

Description

Standard Restrictor Catch
 Standard Restrictor Catch
 11.5mm Stud Plate
 12.5mm Stud Plate
 Enhanced Restrictor Catch
 Enhanced Restrictor Catch
 11.5mm Stud Plate

Hand

Right
 Left
 -
 -
 Right
 Left
 -

Part. No.

062050C
 062051C
 062053C
 062054C
 ANG8312C
 ANG8313C
 ANG8314

Guarantees & Accreditations

Mechanical Guarantee 5 years
 Labour Guarantee 2 years

Ventilation Arm

Ventilation arm for outward and inward opening windows.

- A maximum of 100mm opening for ventilation and provides an element child safety
- Arm can easily be released by an adult for full window opening
- Automatic engagement of arm after window is fully opened

Consists of ventilation arm no. 5/6 plus striker no. 5 for outwards opening windows or striker no. 6 for inwards opening windows - (See drawings below)

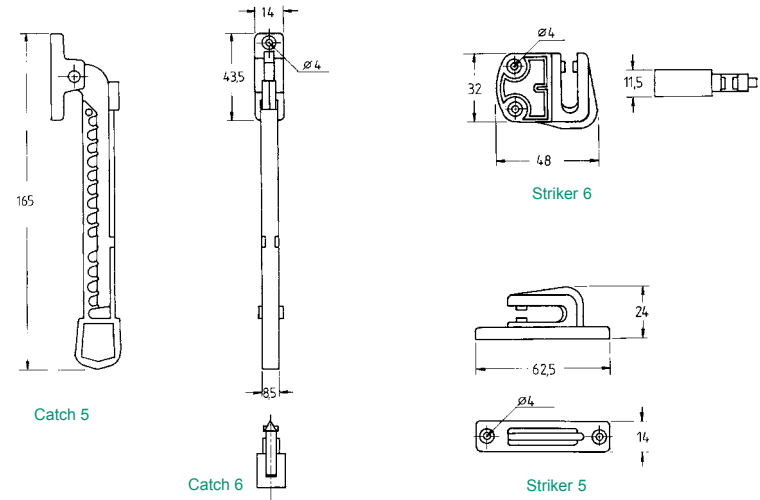


Part Numbers

Description	Type	White	Brown
Restrictor Stay	5/6	062010	062012
Catch	5	062020	062022
Catch	6	062026	062028

*Special Order Only

Technical Drawing



Guarantees & Accreditations

Mechanical Guarantee 5 years
 Labour Guarantee 2 years

to place your order simply call our sales team direct on 01327 312 400