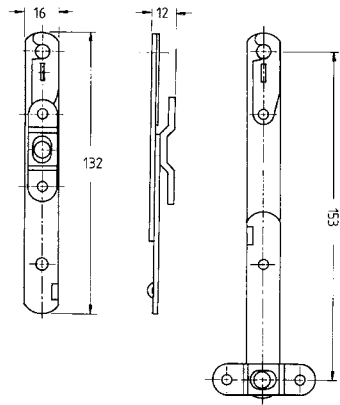


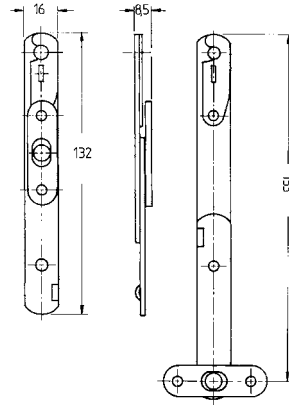
Technical Data

Type	Restrictor Arm
Max Restriction (mm)	100mm
Box Quantity	250

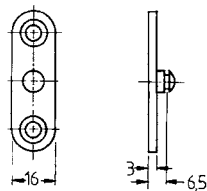
Technical Drawings



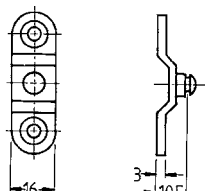
Restrictor Arm 110



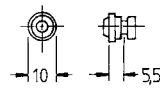
Restrictor Arm 111



Flat Bracket



Stepped Bracket



Sash Stud

Restrictor Arm

Restrictor Arm used on outwards and inwards opening windows to restrict opening to a maximum of 100mm, providing ventilation and child safety.

- Stay arm easily released with a screw driver from sash/frame bracket for full opening of window
- Manual engagement required to regain safety operation

2 stays available:

Type 110 with flat base bracket

Type 111 with 3.5mm stepped base bracket

2 sash/frame brackets available:

Flat bracket

Stepped bracket - 4mm



Part Numbers

Description	Type	Hand	Part No.
Restrictor Arm 110	Flat	Right	060510
Restrictor Arm 110	Flat	Left	060511
Restrictor Arm 111	Stepped	Right	060514
Restrictor Arm 111	Stepped	Left	060515
Fixing Plate	Flat	-	060519
Fixing Plate	Stepped	-	060520
Sash Stud	-	-	060518

Guarantees & Accreditations

Mechanical Guarantee	5 years
Labour Guarantee	2 years

to place your order simply call our sales team direct on 01327 312 400