



Restrictors & Security Devices

Hardware By Professionals | For Professionals

Restrictors & Security Devices Contents

Restrictors & Security Devices Selection

Mila stock a comprehensive range of new and retro-fit safety and security devices for casement windows, doors and TBT windows. Listed below are the main types available and their standard applications:



Friction Arms: limit outward opening doors or windows to a maximum of 90°.



Restrictors: restrict window opening to allow background ventilation whilst providing an element of child safety.



Security Enhancements (Locking Side): provide protection against being levered open of a window or door. Generally retro-fitted to enhance security of existing installations.



Security Enhancements (Hinge Side): casement hinge protectors that help protect against jemmying/levering. In some instances they can help casement windows fitted with standard friction stays achieve BS 7950.

	Page No.
Mila Friction Arm	106
Trinity Friction Arm	107
Restrictor Catch	108
Ventilation Arm	109
Restrictor Arm	111
Eurosafe Safety Catch	113
Mila Sash Block	115
SC Casement Hinge Protector	116
Ideal Casement Hinge Protector	117
Non-Rout Hinge Protector	118
Fearless Casement Hinge Protector	119

Mila Friction Arm

Friction arm which can be used to limit door and window opening to a maximum of 90°.

- Suitable for use on inward and outward opening residential and french doors
- Suitable for inward opening tilt and turn windows
- Friction can be easily adjusted with an allen key
- Suitable with a full depth eurogroove sash only

An accessory/profile related frame part is also required. Please contact the Mila sales team on 01327 3124 00 for details of the recommended accessory for your system.



Part Numbers

Description

Friction Arm GR 190/126
Friction Arm GR 280/236
Friction Arm GR 360/236
Friction Arm GR 360/270

Part No.

060303
060305
060309
060313

Trinity Friction Arm

On side hung windows supported by standard butt hinges, a friction arm offers distinct advantages over a conventional peg stay.

- Totally concealed when the vent is closed
- Offers no internal obstruction when opened
- For large top-hung vents the friction arm can be used as an extra support by fitting it below the existing friction stay. This has the effect of limiting opening as well as adding greater stability to the window
- Available in 10", 14" and 18"



Part Numbers

Description

Trinity Friction Arm
Trinity Friction Arm
Trinity Friction Arm

Size (")

10
14
18

Length (mm)

250
340
440

Part No.

060110C
060112C
060114C

Guarantees & Accreditations

Mechanical Guarantee 5 years
Labour Guarantee 2 years

Guarantees & Accreditations

Mechanical Guarantee 5 years
Labour Guarantee 2 years

to place your order simply call our sales team direct on 01327 312 400

Restrictor Catch

Spring loaded safety and security catch for outwards and inwards opening windows.

- Gives up to a maximum of 50mm opening providing an element of ventilation and child safety
- For easy release from secured position pull window back and hold the spring loaded arm to release catch
- Catch automatically engages studplate upon closing



Part Numbers

Description

Standard Restrictor Catch
 Standard Restrictor Catch
 11.5mm Stud Plate
 12.5mm Stud Plate
 Enhanced Restrictor Catch
 Enhanced Restrictor Catch
 11.5mm Stud Plate

Hand

Right
 Left
 -
 -
 Right
 Left
 -

Part. No.

062050C
 062051C
 062053C
 062054C
 ANG8312C
 ANG8313C
 ANG8314

Guarantees & Accreditations

Mechanical Guarantee 5 years
 Labour Guarantee 2 years

Ventilation Arm

Ventilation arm for outward and inward opening windows.

- A maximum of 100mm opening for ventilation and provides an element child safety
- Arm can easily be released by an adult for full window opening
- Automatic engagement of arm after window is fully opened

Consists of ventilation arm no. 5/6 plus striker no. 5 for outwards opening windows or striker no. 6 for inwards opening windows - (See drawings below)

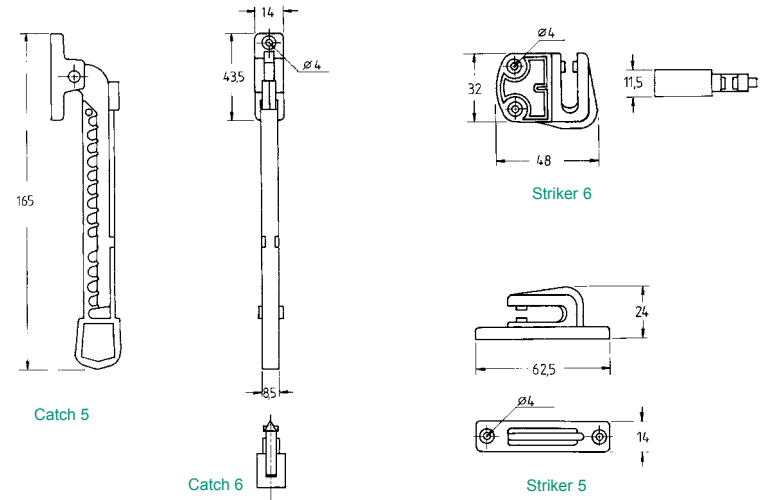


Part Numbers

Description	Type	White	Brown
Restrictor Stay	5/6	062010	062012
Catch	5	062020	062022
Catch	6	062026	062028

*Special Order Only

Technical Drawing



Guarantees & Accreditations

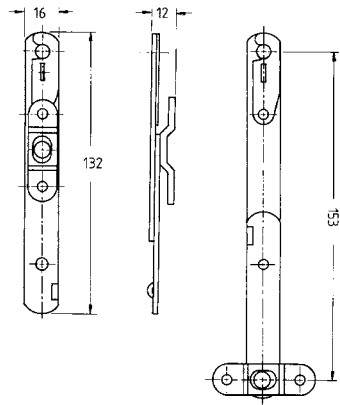
Mechanical Guarantee 5 years
 Labour Guarantee 2 years

to place your order simply call our sales team direct on 01327 312 400

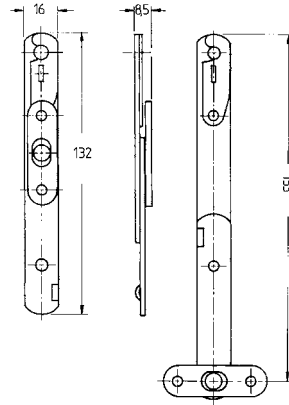
Technical Data

Type	Restrictor Arm
Max Restriction (mm)	100mm
Box Quantity	250

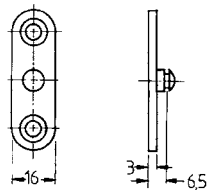
Technical Drawings



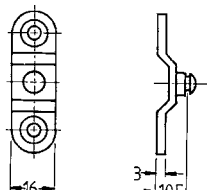
Restrictor Arm 110



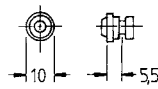
Restrictor Arm 111



Flat Bracket



Stepped Bracket



Sash Stud

Restrictor Arm

Restrictor Arm used on outwards and inwards opening windows to restrict opening to a maximum of 100mm, providing ventilation and child safety.

- Stay arm easily released with a screw driver from sash/frame bracket for full opening of window
- Manual engagement required to regain safety operation

2 stays available:

Type 110 with flat base bracket

Type 111 with 3.5mm stepped base bracket

2 sash/frame brackets available:

Flat bracket

Stepped bracket - 4mm



Part Numbers

Description	Type	Hand	Part No.
Restrictor Arm 110	Flat	Right	060510
Restrictor Arm 110	Flat	Left	060511
Restrictor Arm 111	Stepped	Right	060514
Restrictor Arm 111	Stepped	Left	060515
Fixing Plate	Flat	-	060519
Fixing Plate	Stepped	-	060520
Sash Stud	-	-	060518

Guarantees & Accreditations

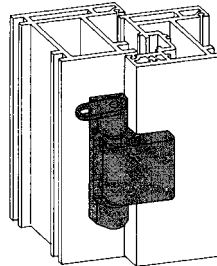
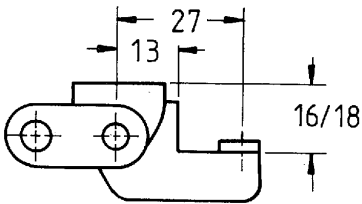
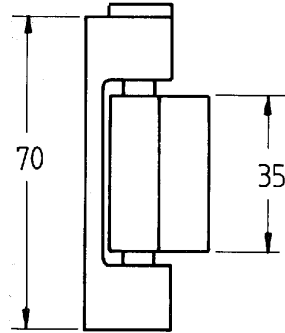
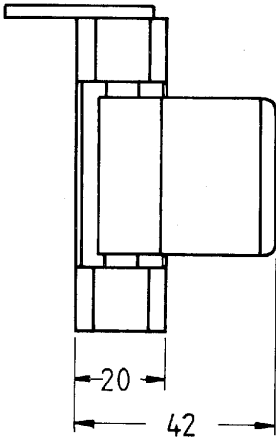
Mechanical Guarantee	5 years
Labour Guarantee	2 years

to place your order simply call our sales team direct on 01327 312 400

Technical Data

Type Safety catch
Box Quantity 10

Technical Drawings



Eurosafe Safety Catch

The Eurosafe security system can be installed on existing doors and windows manufactured from either timber or PVCU.

- Provides additional protection against the levering open of the door or window from the outside
- Consists of solid frame and sash blocks, locked through a security steel pin
- Concealed screws on the frame and in the sash over-rebate
- Operation is simple and reliable. The window or door can be opened when the security pin has been released
- Available in white or brown finish to complement both white and woodgrain profiles
- Security version also available with a grub screw



Part Numbers

Description	White	Brown
Eurosafe	061510	061512
Eurosafe Security	061513	061514*

*Special order item

Guarantees & Accreditations

Mechanical Guarantee	5 years
Labour Guarantee	2 years

to place your order simply call our sales team direct on 01327 312 400

Technical Data

Type	Sash block
Material Specification:	
Base	Zinc alloy ZL3
Thumb Turn	Zinc alloy ZL3
Box Quantity	10

Mila Sash Block

Security device that can be fitted to new windows or doors, or retro-fitted on existing installations, to enhance security.

- Consists of a solid zinc arm that turns through 90° to prevent the sash from being forced open
- Face fix and rear fix versions available
- Operation is simple and secure - the window can easily be opened from inside by turning the arm into the open position
- Plastic cover caps conceal the fixings and different blocks take up profile over-rebates
- Available in white or brown finish to complement both white and woodgrain profiles



Part Numbers

Description

Face Fix
Rear Fix

White

061520
061522*

Brown

061521
061523*

*Special order item

Guarantees & Accreditations

Mechanical Guarantee	5 years
Labour Guarantee	2 years

to place your order simply call our sales team direct on 01327 312 400

SC Casement Hinge Protector

Enhanced security and compression device for use on the hinge side of casement windows.

- Strong, die-cast sash part and injection moulded frame part
- Supplied in a profile related kit
- No routing of sash, or outer frame, required
- Can be retro-fitted on-site to enhance hinge side security
- Secured By Design licensed product



Part Numbers

Profile	16mm Part No.
Spectus 70	023881*
WHS Esthetique	023883
WHS System 10	023884
HW 70	023885
Vinylock 1600	023901
Spectus Elite	023902
Synseal Shield	023903
Deceuninck	023904
Rehau Tritec	023904

* Special orders only

Guarantees & Accreditations

Mechanical Guarantee	5 years	SBD Product	Yes
Labour Guarantee	2 years		



Ideal Casement Hinge Protector

Enhanced security device for use on the hinge side of casement windows.

- Strong, die-cast sash and frame parts
- No routing of sash or outer frame required
- Can be retro-fitted on-site to enhance hinge side security
- Versions available to suit both 13mm and 17mm stack height friction stays
- Secured By Design licensed product



Part Numbers

Description

Ideal Casement Hinge Protector

13mm
023200

17mm
023201



Guarantees & Accreditations

Mechanical Guarantee	10 years	SBD Product	Yes
Labour Guarantee	2 years		



to place your order simply call our sales team direct on 01327 312 400

Non-Rout Hinge Protector

Hinge protector suitable for most residential doors & casement windows with a eurogroove.

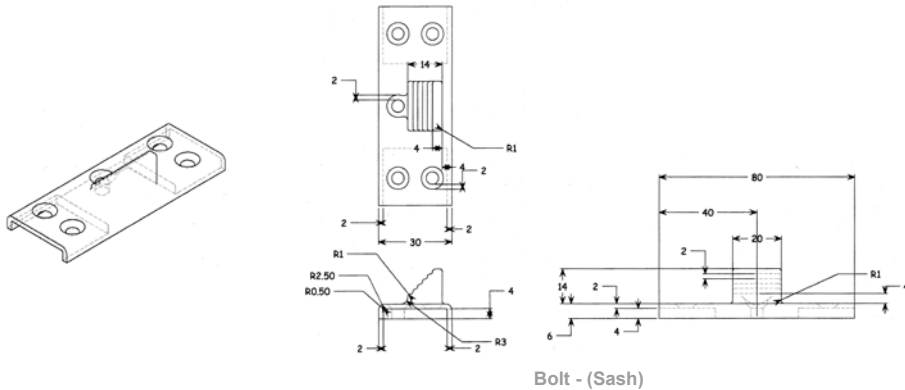
- Large die-cast bolt slots securely into eurogroove when the door/window is closed providing an effective anti-jemmy feature
- No routing or preparation required
- Can be retro-fitted on-site to enhance hinge side security
- Suits most major profiles through the use of profile related plastic packers



Part Numbers

Description	Part No.
Non-Rout Hinge Protector	023886

Technical Drawings



Guarantees & Accreditations

Mechanical Guarantee	10 years
Labour Guarantee	2 years

Fearless Casement Hinge Protector

To enhance the security on the hinge side of a window Fearless casement hinge protectors can be fitted.

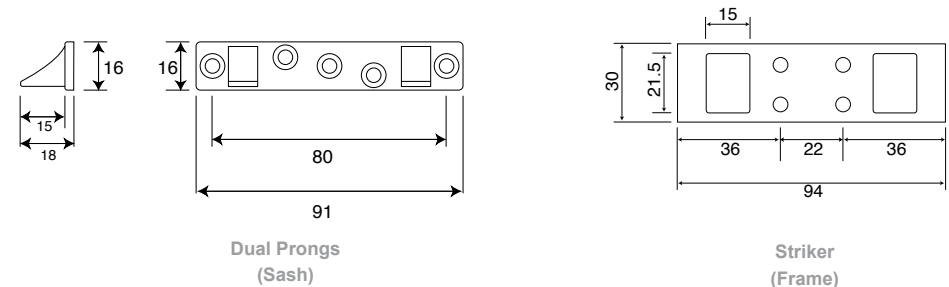
- Universal sash part has 5 screw fixings for increased stability
- When the window is closed dual 15mm prongs secure into the steel striker thereby protecting against external forced entry
- Steel striker is simply and easily profile-related through the use of profile related packers
- Secured By Design licensed product



Part Numbers

Description	Part No.
Universal Sash Part	420092
Universal Steel Top Striker	420050

Technical Drawings



Guarantees & Accreditations

Mechanical Guarantee	10 years	SBD Product	Yes
Labour Guarantee	2 years		



to place your order simply call our sales team direct on 01327 312 400