



## Letterboxes & Door Furniture

*Hardware By Professionals | For Professionals*

## Letterbox Selection

Please follow the steps below to select the correct letterbox for your application;

### 1. Choose the size of letterbox required:

There are three standard sizes of letterboxes, all designed to accept A4 sized post:

- 10" standard – suit most panels and mid-rails
- 12" standard – suit most standard panels and mid-rails
- 12" slimline – generally used in mid-rails but can be used in panels too

### 2. Identify where you are going to fit the letterbox:

Depending on the door thickness or where you intend to fit the letterbox you will require one of two telescopic sleeve sizes:

- 20/40 – suit thicknesses from 20-40mm. This size is generally used in panels.
- 40/80 – suits door thicknesses from 40-80mm. This size is generally used in mid-rails

### 3. Select the finish required:

Mila carry a comprehensive range of letterboxes with the following flap colours:

- Silver (F1)
- Gold (F3)
- Polished Silver
- Polished Gold
- White
- Black

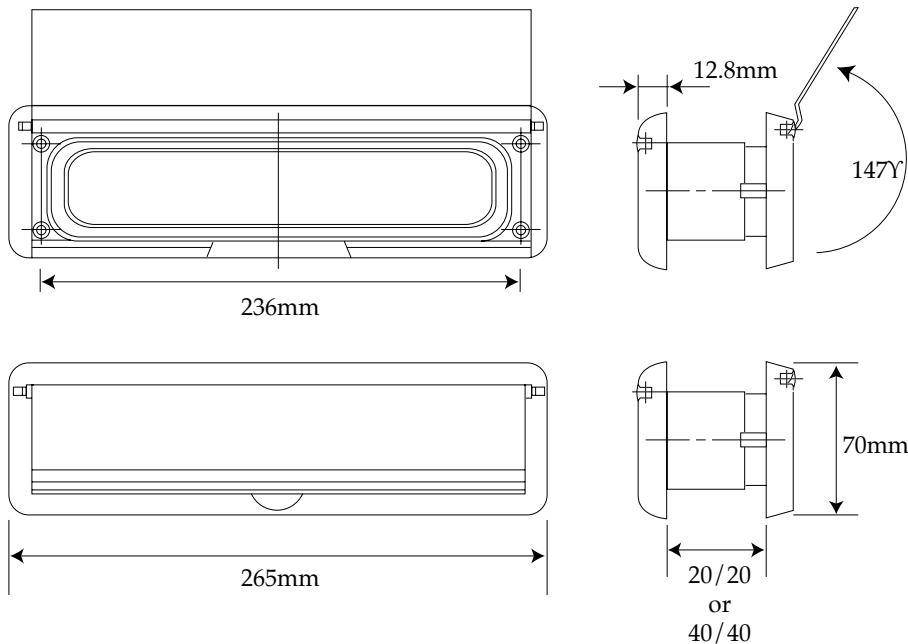
## Letterbox & Door Furniture Contents

	Page No.
Welseal Letterbox	297
Grand Contoura Letterbox	299
Post Master Letterbox	301
Slim Master Letterbox	303
Victorian Urn Door Knocker	304
Slimline Urn Door Knocker	305
Georgian Scroll Door Knocker	306
Lions Head Door Knocker	307
Numerals & Letters	308
Door Viewer	310

### Technical Data

Length (mm)	265
Height (mm)	70
Aperture Depth (mm)	18 - 78
Finishes	Polished gold, silver F1, gold F3, black, white, saa
<b>Material Specification:</b>	
Frame	ABS Plastic
Flap	Extruded aluminium 6030 alloy
Springs	Acetal torsion bars
Draught Seals	Closed cell foam gasket - external Nylon brush seals - internal
Box Quantity	25

### Technical Drawing



### Welseal Letterbox

The Welseal range of letterboxes have been so named because of their soft lines and contours which suite seamlessly with the softer lines of today's door panels, furniture and profiles.

- Softened design internal frame arrangement with less obtrusive flap featuring thumb access and matching softened external frame
- Increased size of aperture to allow easier access for A4 post
- Available in 2 standard, telescopic sleeve sets:  
20/40 to suit door thicknesses 18 - 38mm  
40/80 to suit door thicknesses 38 - 78mm
- Available with a black frame and with various flap finishes
- External flap opening to 147° lessens possibility of torsion bar breakage or over stressing. Internal flap opens to 90°
- External foam sealing
- Internal nylon brush sealing to reduce air filtration
- Frame in prime ABS
- Extruded Aluminium flap in 6030 Alloy



### Part Numbers

Description	Polished Gold	Silver (F1)	Gold (F3)	Black	White
Welseal Letterbox - 20/40	110445W	110447W	110449W	110441W	110442W
Welseal Letterbox - 40/80	110465W	110467W	110469W	110461W	110462W
	<b>SSA</b>				
Welseal Letterbox - 40/80	110460W				

### Guarantees & Accreditations

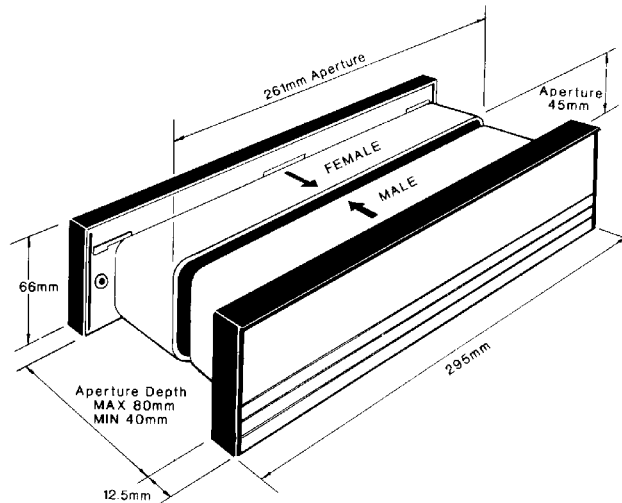
Mechanical Guarantee	5 years
Labour Guarantee	2 years

to place your order simply call our sales team direct on 01327 312 400

## Technical Data

Length (mm)	295
Height (mm)	66
Aperture Depth (mm)	Min. 40, max. 80
Finishes	Polished gold, silver F1, gold F3, silver, black, white
Material Specification:	
Frame	ABS Plastic
Flap	Extruded Aluminium 6030 alloy
Springs	Acetal Torsion Bars
Draught Seals	Closed Cell Foam gasket - External Nylon Brush Seals - Internal
Box Quantity	25

## Technical Drawing



## Grand Contoura Letterbox

ABS moulded 12" letterbox with a robust aluminium flap for use on most types of residential door.

- A4 aperture to BS 2911
- Telescopic sleeve set, min. aperture size 40mm, max. aperture size 80mm
- Black frame available with various flap finishes
- Closed cell foam gaskets externally
- Nylon brush seals internally



## Part Numbers

Description	Polished Gold	Silver (F1)	Gold (F3)	Silver	Black	White
Grand Contoura	110689W	110682W	110688W	110685W	110686W	110687W

## Guarantees & Accreditations

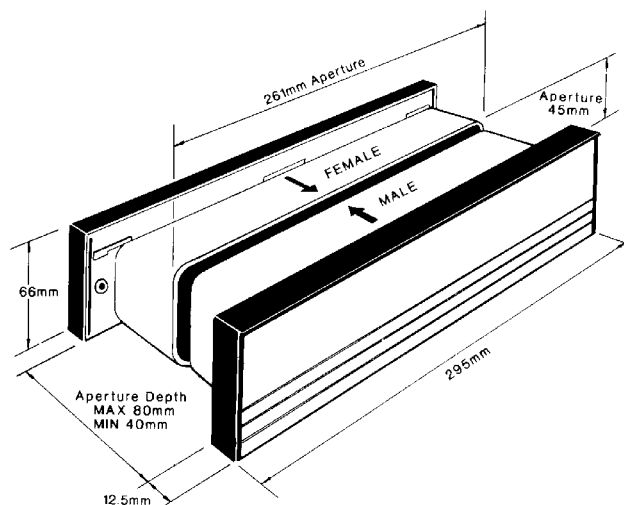
Mechanical Guarantee	5 years
Labour Guarantee	2 years

to place your order simply call our sales team direct on 01327 312 400

## Technical Data

Length (mm)	295
Height (mm)	66
Aperture Depth (mm)	Min. 40, max. 80
Finishes	Silver F1, gold F3, white
<b>Material Specification</b>	
Frame	ABS plastic
Flap	Extruded aluminium 6030 alloy
Springs	Acetal torsion bars
Draught Seals	Closed cell foam gasket - external Nylon brush seals - internal
Box Quantity	25

## Technical Drawing



## Post Master Letterbox

12" letterbox with aluminium frame and flap for use on most types of residential door.

- A4 aperture to BS 2911
- Telescopic sleeve set, min. aperture size 40mm, max. aperture size 80mm
- Available with various flap finishes and colour matched frame
- Closed cell foam gaskets externally
- Nylon brush seals internally



## Part Numbers

Description	Silver (F1)	Gold (F3)	White
Postmaster	110410	110393	110392

## Guarantees & Accreditations

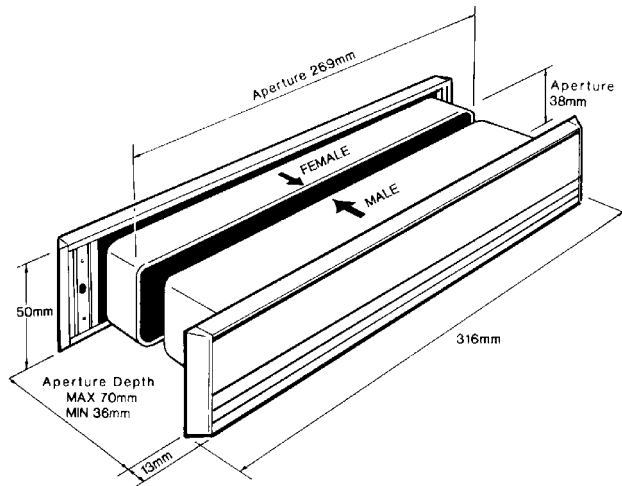
Mechanical Guarantee	5 years
Labour Guarantee	2 years

to place your order simply call our sales team direct on 01327 312 400

## Technical Data

Length (mm)	316
Height (mm)	50
Aperture Depth (mm)	Min. 36, max. 70
Finishes	Polished gold, polished silver, gold F3, silver F1, black, white
<b>Material Specification</b>	
Frame	ABS plastic
Flap	Extruded aluminium HE 9
Springs	Acetal torsion bars
Draught Seals	Closed cell foam gasket - external Nylon brush seals - internal
Box Quantity	25

## Technical Drawing



## Slim Master Letterbox

Slim and elegant aluminium letterbox suitable for use on most types of residential door.

- Telescopic sleeve set, min. aperture size 36mm, max. aperture size 70mm
- Matching frame and flap
- Closed cell foam pads for draught sealing
- Available in a range of attractive finishes



## Part Numbers

Description	Polished Gold	Polished Silver	Gold (F3)	Silver (F1)	Black	White
Mila Slim Master	110355	110357	110353	110350	110351	110352

## Guarantees & Accreditations

Mechanical Guarantee	5 years
Labour Guarantee	2 years

to place your order simply call our sales team direct on 01327 312 400

## Victorian Urn Door Knocker

Brass door knocker in stylish Victorian Urn design

- Available in 6" and 8" sizes
- Available in brass, black, white and chrome finishes
- Available with or without hole - Drilled urns to fit a 160° viewer



### Part Numbers

Description	Size (Inches)	Brass	Chrome	Black	White
Victorian Urn	6	052300	052303	052301	052302
Victorian Urn	8	052320	052323	052321	052322
Victorian Urn with Hole	6	052305	052308	052306	052307
Victorian Urn with Hole	8	052325	052328	052326	052327

# Slim-Line Urn Door Knocker

Slim-line urn, brass door knocker. Designed particularly to suit long panel sections

- Available with or without hole
- Bolts from reverse, so no screws are visible from the front
- Available in brass, black, white
- Drilled urns fit a 160° viewer



## Part Numbers

Description	Size (")	Brass	Black	White
Slim-Line Urn	8	052364	052365	052366
Victorian Urn with hole	8	052367	052368	052369

to place your order simply call our sales team direct on 01327 312 400



## Georgian Scroll Door Knocker

Georgian scroll, brass door knocker.

- Ideal for mullions and slim door panel sections
- Bolts from reverse, so no screws are visible from the front
- Available in brass, black, white and chrome finishes



### Part Numbers

Description	Size (")	Chrome	Brass	Black	White
Georgian Scroll	7	052363	052360	052361	052362

## Lions Head Door Knocker

Lions head, brass door knocker.

- Standard design available in 4" and 6"
- Bolts from reverse, so no screws are visible from the front
- Available in brass, black, white and chrome finishes
- Large 8" round lions head also available



### Part Numbers

Description	Size (")	Chrome	Brass	Black	White
Lions Head	4	-	052340	052341	052342
Lions Head	6	052347	052344	052345	052346
Round Lions Head	8	-	052350	052351	052352

to place your order simply call our sales team direct on 01327 312 400

## Numerals & Letters

Brass numerals and brass letters, available in a choice of finishes and sizes.

- Numerals available in 0 to 9
- Numerals available in Brass (2 & 3") and Black (3") finishes
- Letters A to Z available in Brass



## Door Viewer

Door viewers for use either singly or in conjunction with Victorian and Slimline urn drilled door knockers.

- Suitable for all door thicknesses from 20mm to 78mm
- Available in brass, black, chrome and white finishes



### Part Numbers

Description	Part No.									
	0	1	2	3	4	5	6	7	8	9
Brass 2 Inch Numerals	052400	052401	052402	052403	052404	052405	052406	052407	052408	052409
Brass 3 Inch Numerals	052420	052421	052422	052423	052424	052425	052426	052427	052428	052429
Black 3 Inch Numerals	052430	052431	052432	052433	052434	052435	052436	052437	052438	052439

### Part Numbers

Description	Part No.										
	A	B	C	D	E	F	G	H	I	J	K
Brass Letters 3"	052530	052531	052532	052533	052534	052535	052356	052537	052538	052539	052540
	L	M	N	O	P	Q	R	S	T	U	V
	052541	052542	052543	052544	052545	052546	052547	052548	052549	052550	052551
	W	X	Y	Z							
	052552	052553	052554	052555							

Please note: All letters and numerals are special order items.

### Part Numbers

Description	Size (")	Chrome	Brass	Black	White
Door Viewer	20 - 34 / 160°	052373	052370	052371	052372
Door Viewer	35 - 55 / 160°	052377	052374	052375	052376
Door Viewer	35 - 55 / 180°	053281	052380	-	-
Fire Check Door Viewer	20 - 34 / 180°	-	052384	-	-
Extension	10	-	052392	-	052390

to place your order simply call our sales team direct on 01327 312 400