



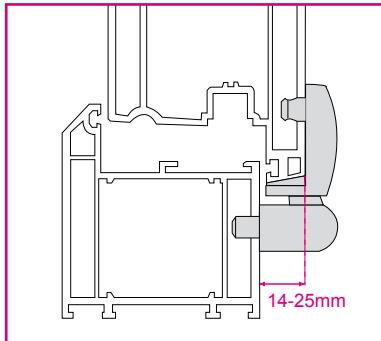
Door Hinges

Hardware By Professionals | For Professionals

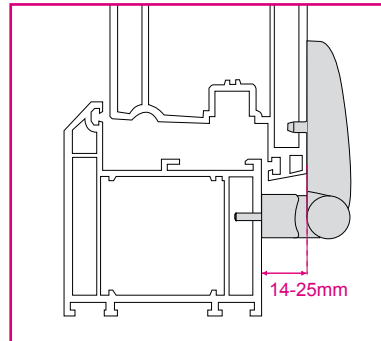
Door Hinges Contents

	Page No.	Type			Adjustment			Finishes					
		Enhanced Security Flag/Butt	Flag	Butt	Lateral Adj.	Height Adj.	Compression Adj.	Chrome PVD	Gold PVD	White	Brown	Light Oak	Black
Evolution Hinge	247	■	-	-	+/-4mm	+4mm	+/-1mm	■	■	■	■	■	-
Ideal Flag Hinge	249	-	■	-	+/-5mm	+/-4mm	+/-3mm	-	-	■	■	■	-
Trinity Flag Hinge	251	-	■	-	+/-5mm	+/-4mm	+/-3mm	-	-	■	■	-	■
Evolution Butt Hinge	253	-	-	■	+/-4mm	+4mm	-	-	-	■	■	■	-
Sidewinder Butt Hinge	255	-	-	■	+/-2mm	-	-	-	-	■	■	■	-
Pendulum Rebated Butt Hinge	257	-	-	■	+/-2mm	-	-	-	-	■	■	■	-
Pendulum Butt Hinge	259	-	-	■	+/-2mm	-	-	-	-	■	■	■	-
Fearless Hinge Protector	261	-	-	-	-	-	-	-	-	-	-	-	-

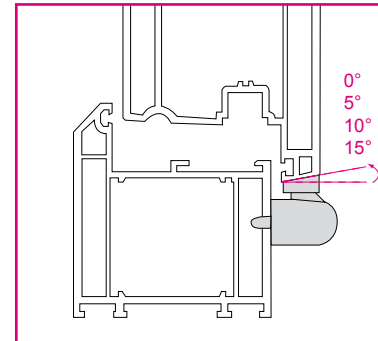
1. Door Hinge Selection:



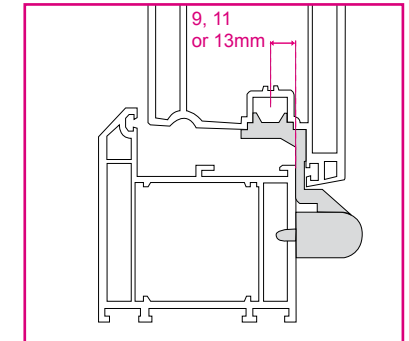
1.1 Enhanced Security Hinge: Enhanced security hinges, such as the Evolution door hinge, can help doors meet the requirements of PAS 24-1 testing without the need for additional security devices such as hinge protectors. They feature three dimensional adjustment for ease of installation and are available in different sizes to suit various over-rebate heights. Profile related infill packers are also available for use on ovulo and chamfered systems.



1.2 Flag Hinge: Standard flag hinges generally provide better security performance than traditional butt hinges and feature three dimensional adjustment to help during installation. Through the use of packers they can suit all common over-rebate sizes.



1.3 Standard Butt Hinge: Standard hinge sash parts are angled to match the bevel of the sash. The most common angles are: 0°, 5°, 10° and 15°. Both standard and rebated butt hinges feature lateral adjustment, while Evolution butt hinges also feature height adjustment.

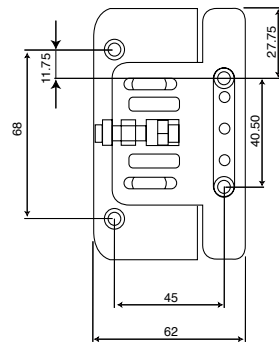
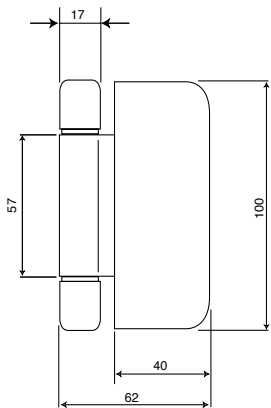
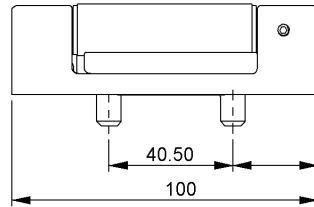
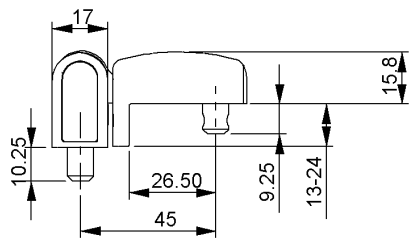


1.4 Rebated Butt Hinge: As their name suggests, rebated hinges (also known as “wrap-around”) fix directly into the sash rebate. Depending on the profile system either a 9mm, 11mm or 13mm size is fitted. Consult the Mila technical team on: 01327 707 300 for the correct size to suit your profile.

Technical Data

Type	Flag / butt
Lateral Adjustment (mm)	+/- 4
Height Adjustment (mm)	+ 4
Compression Adjustment (mm)	+/- 1
Suits Over-rebate (mm)	14 to 25
Maximum Sash Weight (kg)	80 (2 hinges)
Finishes	Chrome PVD, gold PVD, white, brown, light oak
Material Specification:	
Frame & Sash Parts	Zinc die cast Z13 to BS1004
Powder Coated	Syntha pulvin plus
Pin	Mild steel
Box Quantity	10

Technical Drawings



Evolution Hinge

The Evolution combines the adjustment and strength of a flag hinge with the anti-lift properties and subtle sight lines of a butt hinge to provide a hinge with a wealth of features.

- High security hinge - successfully tested to PAS 24-1 without the need for additional hinge protectors
- Stainless steel hinge pin
- Screw fixings secure through the over-rebate and fix into bosses
- Adjustable to ensure optimal weather tightness and installation
- Lateral adjustment +/-4mm
- Vertical adjustment +4mm
- Adjustment can be carried out without dis-mounting door leaf
- 8mm diameter bosses provide additional stability
- Suitable for sash over-rebates sizes from 14mm to 25mm
- Infill pieces available for use on ovulo and chamfered profiles
- Available in a range of attractive finishes



Part Numbers

Description	Over-rebate (mm)	Chrome PVD	Gold PVD	White	Brown	Light Oak
Evolution Hinge	15 or 18	024307	024303	024302	024301	024304
Evolution Hinge	16 or 17	024317	024313	024312	024311	024314
Evolution Hinge	19 or 22	024327	024323	024322	024321	024324
Evolution Hinge	20 or 21	024337	024333	024332	024331	024334

Guarantees & Accreditations

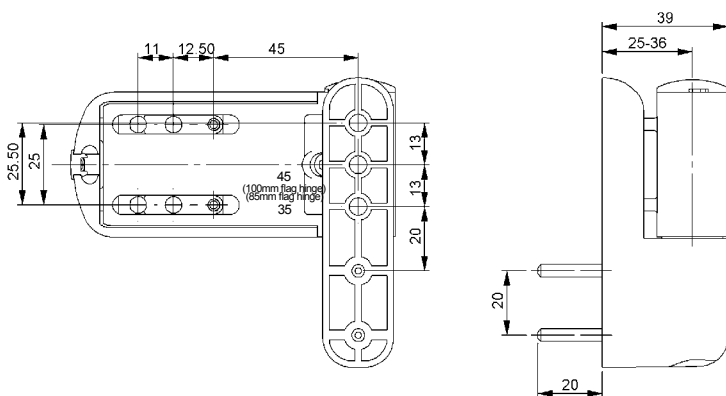
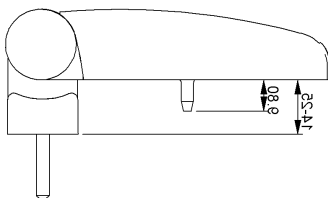
Mechanical Guarantee	5 years
Labour Guarantee	2 years

to place your order simply call our sales team direct on 01327 312 400

Technical Data

Type	Flag
Lateral Adjustment (mm)	+/- 5
Height Adjustment (mm)	+4
Compression Adjustment (mm)	+/- 3
Suits Over-rebate (mm)	14 to 25
Maximum Sash Weight (kg)	80 (2 hinges)
Finishes	White, brown, light oak

Technical Drawings



Ideal Flag Hinge

The Ideal flag hinge is the ideal solution for residential doors. Featuring adjustment across all three planes, a choice of sizes and a range of colours - there is an ideal solution for every door.

- Three dimensionally adjustable flag hinge:
 - +/-5mm lateral adjustment
 - +4mm height adjustment
 - +/-3mm compression adjustment
- Available in 85mm and 100mm sizes
- Suitable for sash over-rebate sizes from 14mm to 25mm
- Concealed screw fixing of sash cover
- Available in a range of attractive finishes



Part Numbers

Description	Size (mm)	White	Brown	Light Oak
Ideal Flag Hinge	85	022100	022101	022103
Ideal Flag Hinge	100	022120	022121	022123

Guarantees & Accreditations

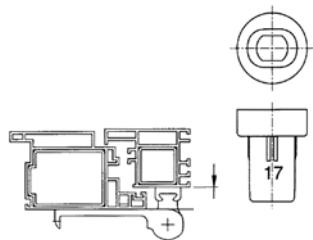
Mechanical Guarantee	5 years
Labour Guarantee	2 years

to place your order simply call our sales team direct on 01327 312 400

Technical Data

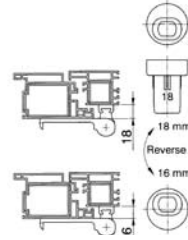
Type	Flag
Lateral Adjustment (mm)	+/- 5
Height Adjustment (mm)	+/- 4
Compression Adjustment (mm)	+/- 3
Suits Over-rebate (mm)	14 to 20
Maximum Sash Weight (kg)	80 (2 Hinges)
Finishes	Gold, white, brown, black
Box Quantity	1

Technical Drawings



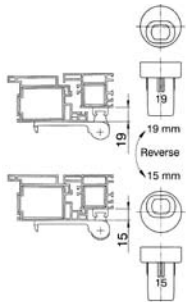
Bottom Washer 1

Fits profiles with 17mm o/r height



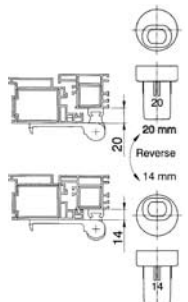
Bottom Washer 2

Fits profiles with 16mm or 18mm o/r height



Bottom Washer 3

Fits profiles with 15mm or 19mm o/r height



Bottom Washer 4

Fits profiles with 14mm or 20mm o/r height

Trinity Flag Hinge

The Trinity flag hinge is suitable for all types of PVCU doors, featuring three dimensional adjustment and strong weight carrying capacity.

- Three dimensional adjustment enables optimum sealing
- 100mm overall length to allow fixing direct into reinforcing
- Stainless steel hinge pin
- Suitable for sash over-rebates sizes from 14mm to 20mm without the need for additional packers
- Available in a range of attractive finishes
- Security fixing screws also available



Part Numbers

Description	Cover Caps	Gold	White	Brown	Black
Trinity Flag Hinge	Black	021973C	021984C	021982C	021983C
Trinity Flag Hinge	White	-	021972C	-	-

Guarantees & Accreditations

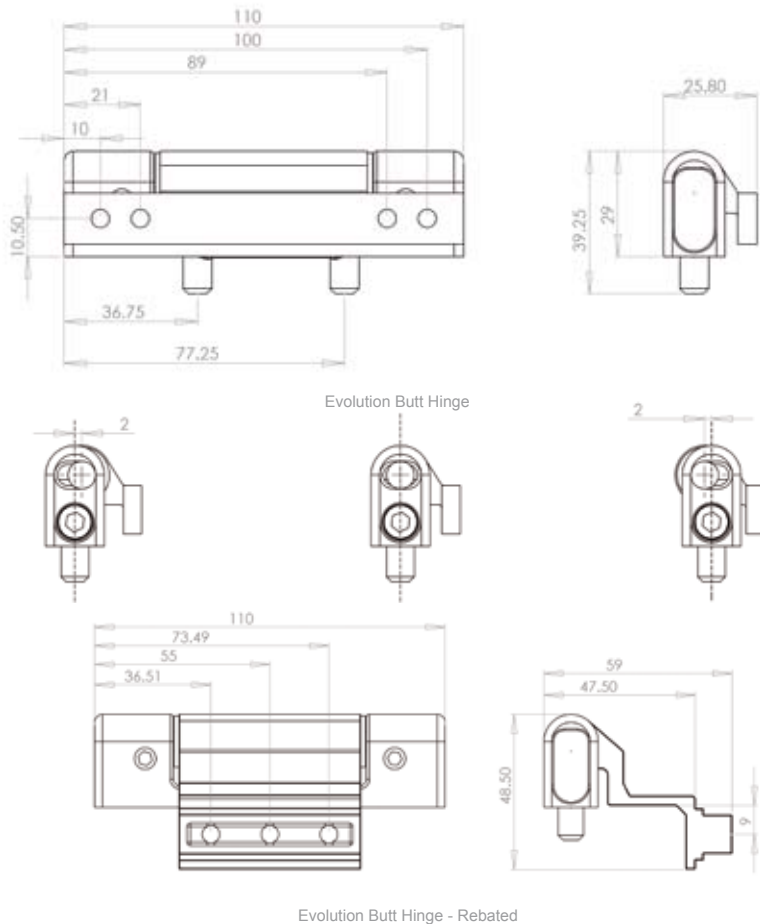
Mechanical Guarantee	5 years
Labour Guarantee	2 years

to place your order simply call our sales team direct on 01327 312 400

Technical Data

Type	Butt
Lateral Adjustment (mm)	+/- 2
Height Adjustment (mm)	+4
Maximum Sash Weight (kg)	80 (3 hinges)
Finishes	White, brown, light oak
Box Quantity	30

Technical Drawings



Evolution Butt Hinge

Based on the Mila's successful Evolution door hinge, the Evolution butt hinge features both lateral and vertical adjustment and is available in standard and rebated versions.

- Adjustable to ensure optimal weather tightness and installation
- Lateral adjustment +/- 2mm
- Vertical adjustment +4mm
- Adjustment achieved without dis-mounting the door leaf
- 8mm diameter bosses provide additional stability
- Steel hinge pin
- Available in a range of attractive finishes



Part Numbers

Description	Degrees (°)	White	Brown	Light Oak
Evolution Butt Hinge	0°	022200	022201	022202
Evolution Butt Hinge	5°	022210	022211	022212
Evolution Butt Hinge	10°	022220	022221	022222

Description	Over-rebate (mm)	White	Brown	Light Oak
Evolution Butt Hinge - Rebated	11	022310	022311	022312
Evolution Butt Hinge - Rebated	13	022320	022301	022302
Evolution Butt Hinge To Suit Rehau	-	022240	022241	022242

Guarantees & Accreditations

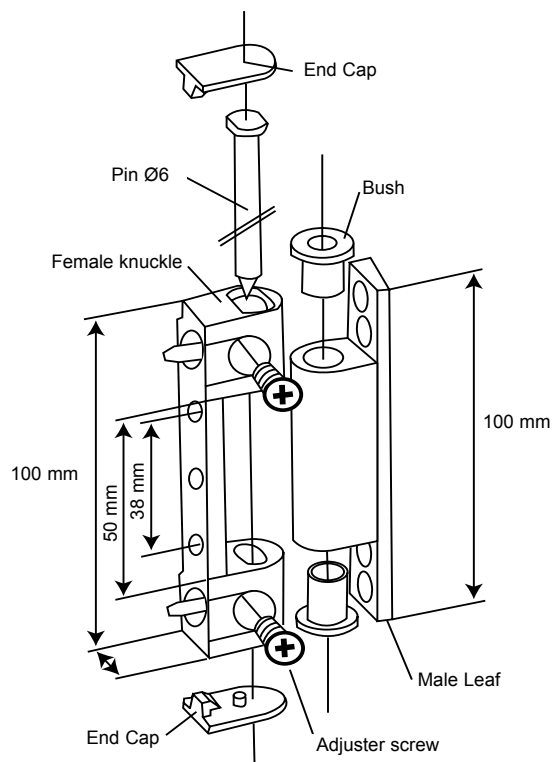
Mechanical Guarantee	5 years
Labour Guarantee	2 years

to place your order simply call our sales team direct on 01327 312 400

Technical Data

Type	Adjustable butt
Lateral Adjustment (mm)	+/- 2
Suits Over-rebate (°)	0°, 5° or 15°
Maximum Sash Weight (kg)	80 (3 hinges)
Finishes	White, brown, light oak
Material Specification:	
Body	Zinc die cast BS1004A
Pin & Grub Screw	Mild steel, zinc & yellow passivated to BS 1706 ZN5
Bushes	ABS (nylon)
Box Quantity	10

Technical Drawings



Sidewinder Butt Hinge

The Sidewinder is an adjustable butt hinge, adjustable from the side for 4mm overall lateral adjustment.

- Adjustment is simply performed by opening the door to 90° and adjusting the twin adjustment screws to the desired amount using a philips head screw driver.
- Stainless steel hinge pin and concealed grub screw fixing
- Versions available for 0°, 5° and 15° over-rebates
- Available in a choice of white, brown or light oak powdercoated finish



Part Numbers

Description	Degrees (°)	White	Brown	Light Oak
Sidewinder Butt Hinge	0°	021201	022203	022205
Sidewinder Butt Hinge	5°	021211	021213	021215*
Sidewinder Butt Hinge	15°	021231	021233	021235*

* Special Order Only

Guarantees & Accreditations

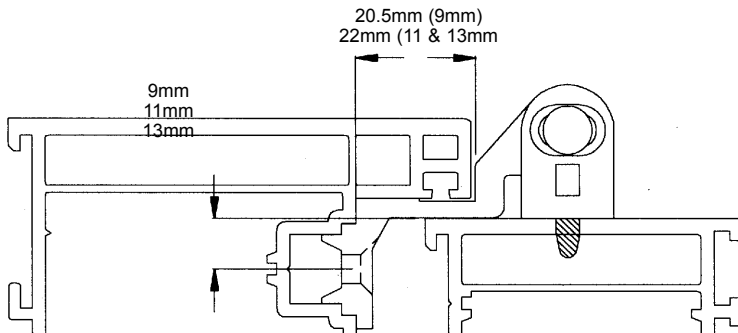
Mechanical Guarantee	10 years
Labour Guarantee	2 years

to place your order simply call our sales team direct on 01327 312 400

Technical Data

Type	Butt
Lateral Adjustment (mm)	+/- 2
Suits Over-rebate (°)	9, 11, 13
Maximum Sash Weight (kg)	80 (3 Hinges)
Finishes	White, brown, light oak
Material Specification:	
Hinge Components	Zinc alloy to BS 1004 B
Pin (Non-Security)	Steel zinc - yellow passivated
Pin (Security)	Steel
Box Quantity	10

Technical Drawings



Pendulum Rebated Butt Hinge

Pendulum hinge featuring a “rebated” sash part which secures directly into the sash eurogroove. The rebated Pendulum hinge is particularly suitable for use on profile systems whose chamfer or ovulo feature renders the fixing of standard butt hinges difficult.

- 4mm lateral adjustment to ensure optimum cover
- Adjustment is carried out by opening the door to 90° and rotating the twin adjustment screws until the desired amount of adjustment is achieved
- Stainless steel hinge pin and concealed grub screw fixing
- Versions available to suit 9mm, 11mm and 13mm eurogroove positions
- Versions are available in a choice of white, brown or light oak powdercoated finish



Part Numbers

Description	Size (mm)	White	Brown	Light Oak
Pendulum Security Rebated Butt Hinge	9	027097	027099	027064
Pendulum Security Rebated Butt Hinge	11	027069*	-	-
Pendulum Security Rebated Butt Hinge	13	027077	027079	027075
Pendulum - Rehau	-	027091	027093	-
Pendulum - Status	-	027101	027103	-

* Special order only

Guarantees & Accreditations

Mechanical Guarantee	10 years
Labour Guarantee	2 years

to place your order simply call our sales team direct on 01327 312 400

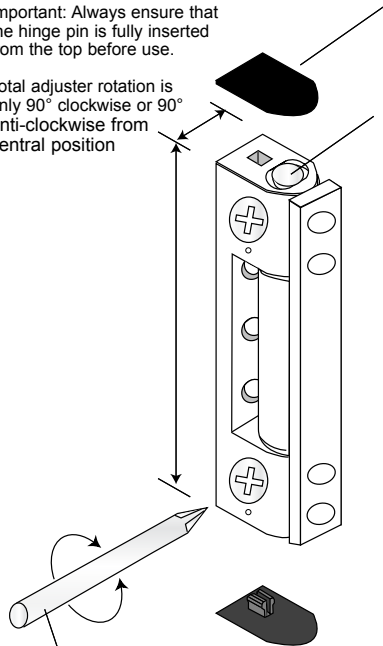
Technical Data

Type	Adjustable butt
Lateral Adjustment (mm)	+/- 2
Height Adjustment (mm)	9, 11, 13
Maximum Sash Weight (kg)	80 (3 hinges)
Finishes	White, brown
Material Specification	
Hinge Components	Zinc alloy to BS1004 B
Pin (Non-Security)	Steel zinc - yellow passivated
Pin (Security)	Steel
Box Quantity	10

Technical Drawings

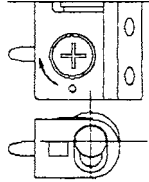
Important: Always ensure that the hinge pin is fully inserted from the top before use.

Total adjuster rotation is only 90° clockwise or 90° anti-clockwise from central position

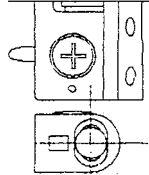


Using a philips head screw driver rotate each adjuster in turn, by small amounts, to obtain desired setting

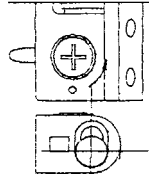
MINIMUM SETTING



NOMINAL SETTING (AS SUPPLIED)



MAXIMUM SETTING



Pendulum Butt Hinge

The Pendulum butt hinge features 4mm lateral adjustment to facilitate optimum cover. Adjustment is simply performed by opening the door to 90° and adjusting the twin adjustment screws to the desired amount with a philips head screw driver.

- Tested to BS7352:1990, class 8 severe rating and achieved in excess of 175,000 cycles on endurance at 80kg per single hinge
- Versions available for 0°, 5°, 10° and 15° overrebates
- Available in a choice of white or brown powdercoated finish



Part Numbers

Description	Degree (°)	White	Brown
Pendulum Butt Hinge	0	027021	027023
Pendulum Butt Hinge	5	027025	027027
Pendulum Butt Hinge	10	027029	027031
Pendulum Butt Hinge	15	027033	027035

Guarantees & Accreditations

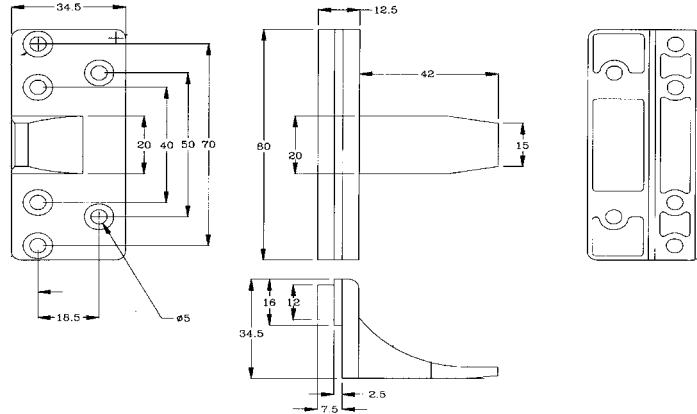
Mechanical Guarantee	10 years
Labour Guarantee	2 years

to place your order simply call our sales team direct on 01327 312 400

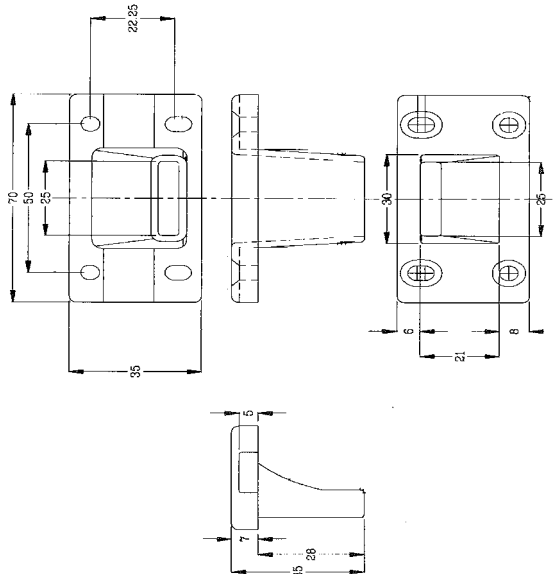
Technical Data

Application Security enhancement
 Box Quantity 50

Technical Drawings - Sash Bolt



Technical Drawings - Frame Part



Fearless Hinge Protector

In terms of hardware, door hinges are often seen as a weak point for anyone trying to gain unauthorised access to a property. The hinge side has often been the area of a door subjected to attack, involving a burglar attempting to gain entry by jemmmying the door sash and hinges.

The Fearless Hinge Bolt is a high security device which protects against this type of attack and is suitable for most major PVCU door systems.

The product comprises 2 parts:

The sash part is a 35mm long yellow passivated zinc bolt which slots neatly into the Eurogroove and is secured by six screw fixings. The bolt penetrates the frame part and thus protects against forced entry by preventing jemmmying of the door sash and hinges.



Part Numbers

Description

Sash Bolt
 Frame Part

Part No.

023891
 023899

Profile Over-rebate Packer

Aluplast Knightsbridge	Kommerling connoisseur	Rehau 702
Aluplast warwick	KS profiles	Rehau 703
Deceuninck 1800	L.B. 5000	Rehau 706
Deceuninck 3000	L.B. 7000	Schuco corona
Duraflex diamond	Marshall tuffex	Selecta advance
Eurocell 60	Permacell finesse	Status 70 - additional packer req'd.
Eurocell 70	Permacell legend	Synseal shield
Eurocell logic	Plastmo index	Veka matrix 58
Spectus 62	Premier 5000	WHS halo Europa
Spectus Sightline 70	Premier 6000	WHS Classique
HW70	Premier concept	Worth
KBE	Premier 7000	
Kommerling gold	Premier Sekura	
Kommerling gold 70	Premier Victorian ovulo	

Guarantees & Accreditations

Mechanical Guarantee 10 years
 Labour Guarantee 2 years

to place your order simply call our sales team direct on 01327 312 400