

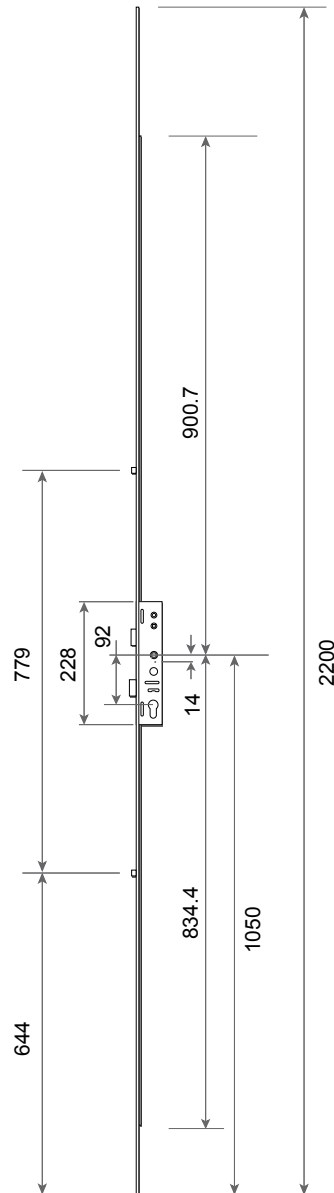
Technical Data

Type	2 roller extendable
Operation	Lever/lever
Pz (mm)	92
Backset (mm)	35
Faceplate (mm)	16

Material Specification

Case	Steel to BS 1449 CR4, zinc plated
Deadbolt	Brass stamped to BS 2874 CZ122, zinc plated
Latch	Diecast in zinc alloy to BS 1004B, zinc plated
Faceplate	Steel to BS 1449 CR4, zinc plated

Box Quantity 5



Mila Master 2 Roller

The Mila Master 2 roller extendable lock is a multi-point lock designed for use on residential doors or as the master leaf, with additional shootbolts, on a pair of french doors.

The Mila Master 2 roller extendable lock features as standard:

- Reversible latch
- Deadbolt with hardened anti-saw pins
- 2 x pre-compression roller cams

Further options include:

- Shootbolts which can be added top and bottom of a door to further enhance security or when using the lock as a master French door
- Adjustable french door keeps for optimum compression at the top and bottom of the door

Part Numbers

Description	Type	Backset (mm)	Rollers	Part No.
Mila Master	Standard	35	2	041006
Shootbolt Set	Security	-	-	UNISBK

Guarantees & Accreditations

Mechanical Guarantee	10 years
Labour Guarantee	2 years



to place your order simply call our sales team direct on 01327 312 400