

Technical Data

Part number configuration information below to help you place your cylinder order;

30	10	EH	PB	M6
----	----	----	----	----

Digit 1: dimension A (see drawing below)

Digit 2: dimension B (see drawing below)

Digit 3: cylinder type

Euro half = EH

Digit 4: cylinder finish

Polished brass = PB

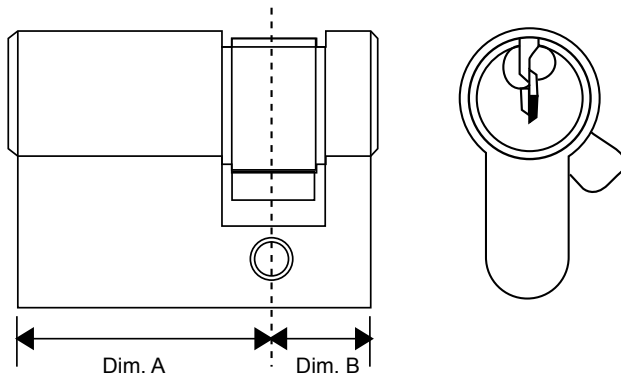
Polished chrome = PC

Digit 5: number of pins

Mila 6 pin security = M6

Box Qty: 25

Technical Drawing



Pro-Linea 6 Pin Half Cylinder

Pro-Linea cylinders from Mila provide security and proven reliability as standard. A comprehensive range of types, sizes and finishes are available for all applications:

- : Over 100,000 effective differs
- : Anti-drill pins provide protection against drilling
- : Optimum comfort and ease of operation through ergonomic thumbturn design
- : Corrosion and temperature resistant for reliability in extreme temperatures
- : Supplied complete with 3 keys
- : Available in polished brass and polished chrome finishes
- : Suites with other Pro-linea products
- : BS EN 1303 - Grade 6 - Pro-Linea cylinders meet all relevant standards and have been independently certified to BS EN 1303 - Grade 6.
- : BS EN 1303 Classification: 1 6 0 0 0 C 6 0



Part Numbers

Description	Type	Size	Polished Brass	Polished Chrome
Pro-Linea 6 Pin Cylinder	Euro Half	30/10	3010EHPBM6	3010EHPCM6
Pro-Linea 6 Pin Cylinder	Euro Half	35/10	3510EHPBM6	3510EHPCM6
Pro-Linea 6 Pin Cylinder	Euro Half	40/10	4010EHPBM6	4010EHPCM6
Pro-Linea 6 Pin Cylinder	Euro Half	45/10	4510EHPBM6	4510EHPCM6
Pro-Linea 6 Pin Cylinder	Euro Half	50/10	5010EHPBM6	5010EHPCM6
Pro-Linea 6 Pin Cylinder	Euro Half	55/10	5510EHPBM6	5510EHPCM6

Guarantees & Accreditations

Mechanical Guarantee	5 years
Labour Guarantee	2 years

to place your order simply call our sales team direct on 01327 312 400