

Ideal Flag Hinge available in 85mm & 100mm, polished gold, polished chrome, smokey chrome, satin chrome, white, light oak & brown.

Mila Hardware has been the UK's leading distributor of hardware to the replacement window and door industry for over 30 years. Our comprehensive product range includes our own innovative Mila brand products, designed & developed in-house, as well as other market-leading brands enabling us to offer value, mid-range and premium product solutions to every customer, for almost any application, in every market sector.

A close-up photograph of a highly reflective, cylindrical metal hinge component, likely made of chrome or polished steel. The hinge is shown at an angle, highlighting its smooth, polished surface and the way it reflects light. The background is dark and textured.

01327 312 400
www.mila.co.uk

The Ideal Flag Hinge for residential and French doors features three dimensional adjustment - vertical, lateral and fine tuning for compression.

Adjustment with a 5mm allen key can be carried out without removing the door leaf from the frame. Strength is assured with a steel hinge pin.

The Ideal Flag Hinge, part of our value product range, features rapid installation technology & premium contemporary finishes.

This page features our Ideal flag hinge in a contemporary smokey chrome finish



easy to jig.
quick to fit.
simple to install.
effortless to adjust.



Above: Ideal flag hinges in satin chrome (top), polished gold (bottom left), polished chrome (bottom middle) & smokey chrome (right) finishes

Ideal Flag Hinge

Tested to exceed the requirements of PAS 023, the Ideal Flag Hinge has successfully completed 100,000 cycles under load - twice the 50,000 cycles requirement - and exceeds the 96 hours salt spray test requirement - plated finishes: 240 hours, powder coated finishes: 480 hours.

The hinge itself features four over-rebate bushes to fit over-rebate heights 14 - 24mm. Bushes are

marked 14-20mm, 15-19mm, 16-18mm and 17mm. The addition of a specially designed packer will increase the heights by a further 4mm to suit a range of profile systems.

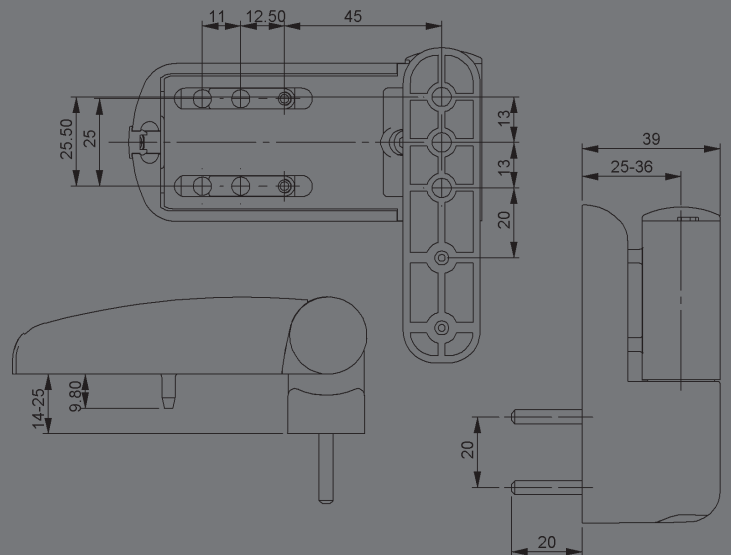
Unlike other hinges the Ideal Flag Hinge utilises only one frame packer, with 'friction fit' for ease of fabrication, to alter over-rebate heights.

A captive sash retaining screw allows easy fitting of the sash lid. Positive location of the top cover cap and height adjustment packer further speeds fabrication.

The 'lift-on, lift-off' design of the Ideal Flag Hinge enables it to be quickly and easily installed on-site by one person.

Technical Specification

Type	Flag
Lateral Adj. (mm)	+/- 5
Height Adj. (mm)	+4
Compression Adj. (mm)	+/- 1
Suits Over-rebate (mm)	14 to 24
Max Sash Weight (kg)	80 (2 hinges)
Hinge Pin	Steel, captive
Cycles	100,000
Salt Spray (hrs)	Plated 240, powder coated 480
Finishes	White, brown, light oak, polished gold, polished chrome, smokey chrome & satin chrome



Part Numbers

Description	Size	Finish							
		White (RAL9016)	Brown (RAL8017)	Light Oak (RAL8003)	Polished Gold	Polished Chrome	Smokey Chrome	Satin Chrome	Jigs (14 & 19mm)
Ideal Flag Hinge	85mm	022100	022101	022103	022102	022104	022107	022106	022532/ 022533
Ideal Flag Hinge	100mm	022120	022121	022123	022122	022124	022127	022126	022534/ 022535

10 years
Mechanical Guarantee

2 years
Labour Guarantee

10 years
Surface Finish (powder coated) Guarantee

5 years
Surface Finish (plated) Guarantee

Mila Hardware, 1 Brunel Close, Drayton Fields, Daventry, Northants. NN11 8RB
Mila Sales. 01327 312 400 Web. www.mila.co.uk