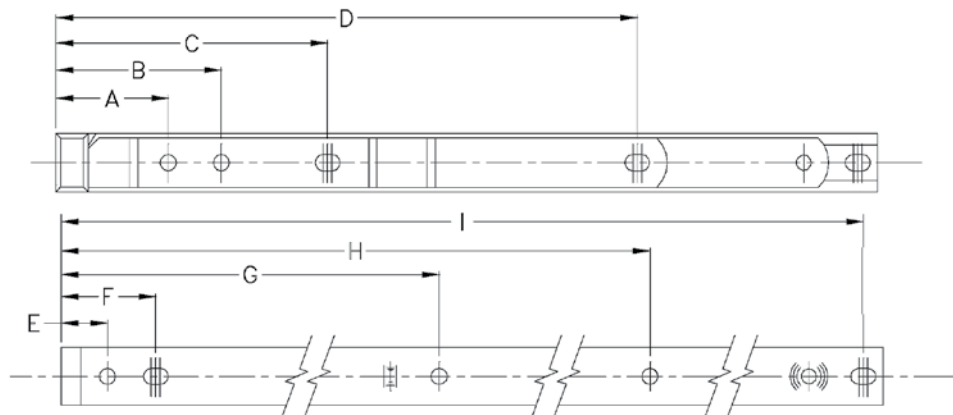


# Order by 5pm for Next Day Delivery



## Technical Drawings



### Fixing Hole Details

	A(mm)	B(mm)	C(mm)	D(mm)	E(mm)	F(mm)	G(mm)	H(mm)	I(mm)
Top Hung 8"	36.2	53.0	-	150.8	15.5	30.5	159.5	-	203.9
Top Hung 10"	36.2	53.0	86.7	184.7	15.5	30.5	181.9	-	254.8
Top Hung 12"	36.2	53.0	112.1	210.1	15.5	30.5	226.2	-	306.0
Top Hung 16"	36.2	53.0	166.4	260.4	15.5	30.5	226.2	-	407.2
Top Hung 20"	36.2	53.0	217.2	311.2	15.5	30.5	217.8	-	508.7
Top Hung 24"	36.2	53.0	268.0	362.0	15.5	30.5	217.5	405.3	610.4
Side Hung 12"	32.6	-	114.8	212.7	279.3	15.5	30.5	226.6	305.7
Side Hung 16"	36.2	53.0	165.5	314.3	380.9	15.5	30.5	226.2	407.0

### Recommended Maximum Sash

Description	Size (")	Width (mm)	Height (mm)	Weight (kg)	Opening (°)
Top Hung	8	1200	300	10	62°
Top Hung	10	1200	450	16	56°
Top Hung	12	1200	600	21	64°
Top Hung	16	1200	750	22	51°
Top Hung	20	1200	900	24	42°
Top Hung	24	1200	1500	50	38°
Side Hung	12	650	1250	20	64°
Side Hung	16	700	1300	24	52°

**iDeal Friction Stays** are available in a range of stack heights & is suitable for both top hung and side hung standard applications.

iDeal Friction Stays provide quality, smooth operation, reliability & strength whilst offering excellent value-for-money.

- Manufactured from high grade Austenitic (304) and Ferritic (430) stainless steel
- Suitable for both top hung and side hung
- Top hung application sizes available: 8", 10", 12", 16", 20" and 24"
- Top hung recommended maximum sash weight - 50 kg
- Side hung recommended maximum sash weight - 24 kg
- Side hung application sizes available: 12" or 16"
- Successfully tested to 50, 000 cycles
- Achieves 96 hours salt spray test
- Secured By Design licensed product
- BBA approved product
- Box quantity: Top Hung 8" & 10" = 50  
Side Hung 12" & 16" = 25  
Top Hung 12" to 24" = 25



### Part Numbers

Description	Size (")	13mm Stack Height	17mm Stack Height
Top Hung	8	022908	022958
Top Hung	10	022910	022960
Top Hung	12	022912	022962
Top Hung	16	022916	022966
Top Hung	20	022920	022970
Top Hung	24	022924	022974
Side Hung	12	022930	022980
Side Hung	16	022932	022982

### Guarantees & Accreditations

**2** years  
Labour Guarantee

**10** years  
Mechanical Guarantee



visit us today at

**www.mila.co.uk**

call our sales team today on

**01327 312 400**